

DAYTIME RUNNING LIGHTS - Fiat Fiorino/Qubo 2013-

installation instructions

Article number:

Daytime running lights EB776

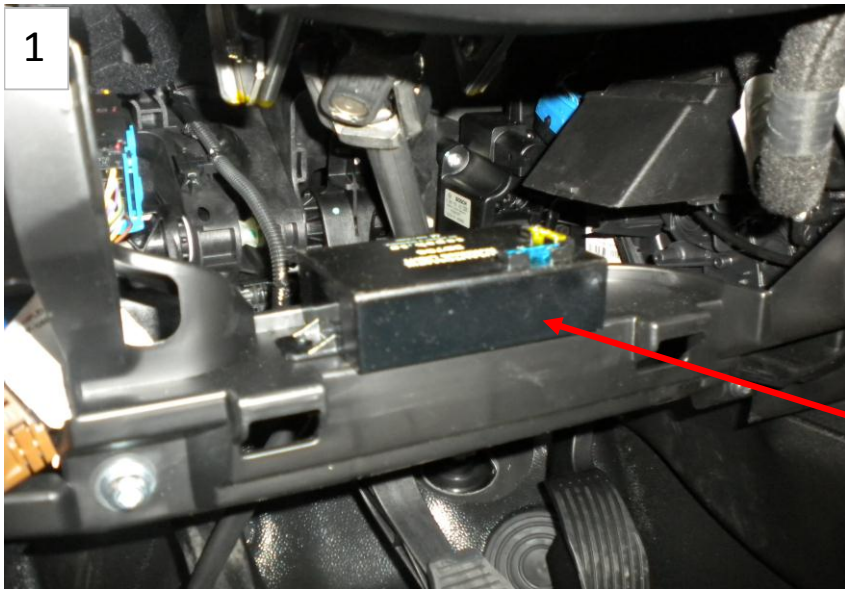
Contents:

1st Electric Box EB706
1st Wire Harness KA888

Last Changed 2013-03-07 DM

Bear in mind that:

Satisfactory functioning is dependent on all cables and terminals being correctly matched in terms of conductor size, and that the terminal connections are "crimped" correctly.

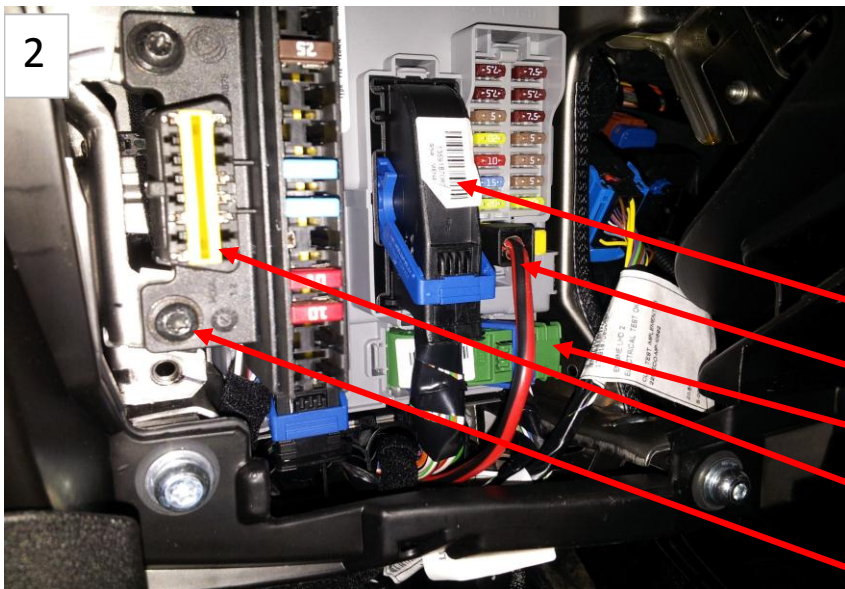


1

NB

Demount the panel in front of driver`s knee and place the DRL light as in picture 1.

DRL Light EB706



2

In picture 2 you see powerterminal and all housings, follow the connection instruction on last page.

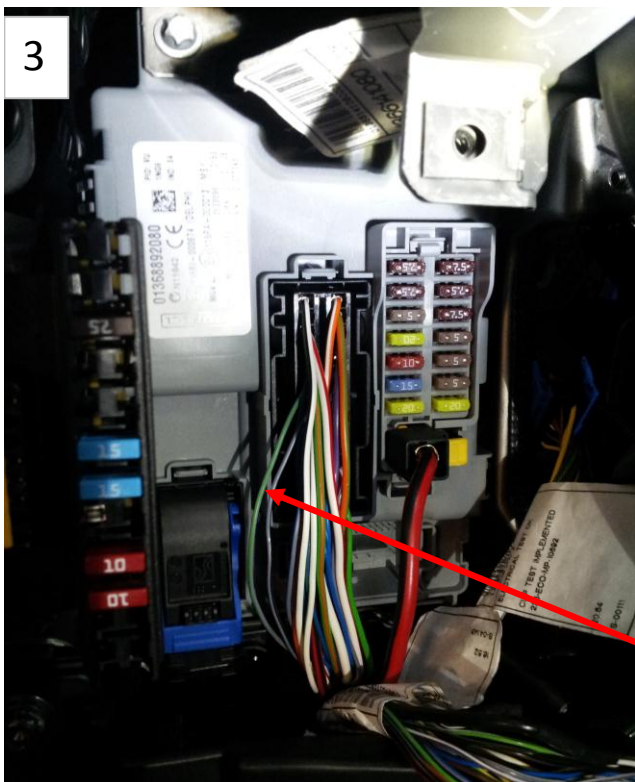
Black housing

B+

Green housing

OBD II

Ground

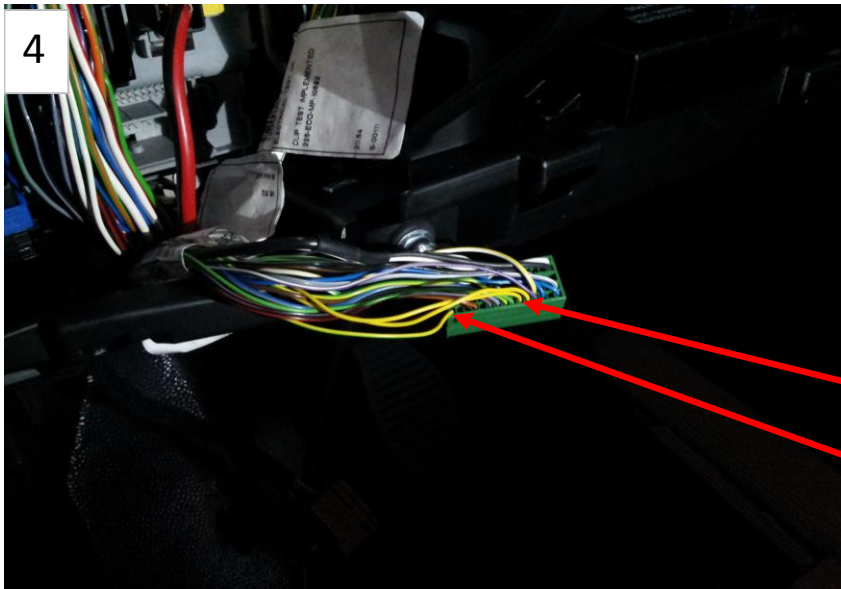


3

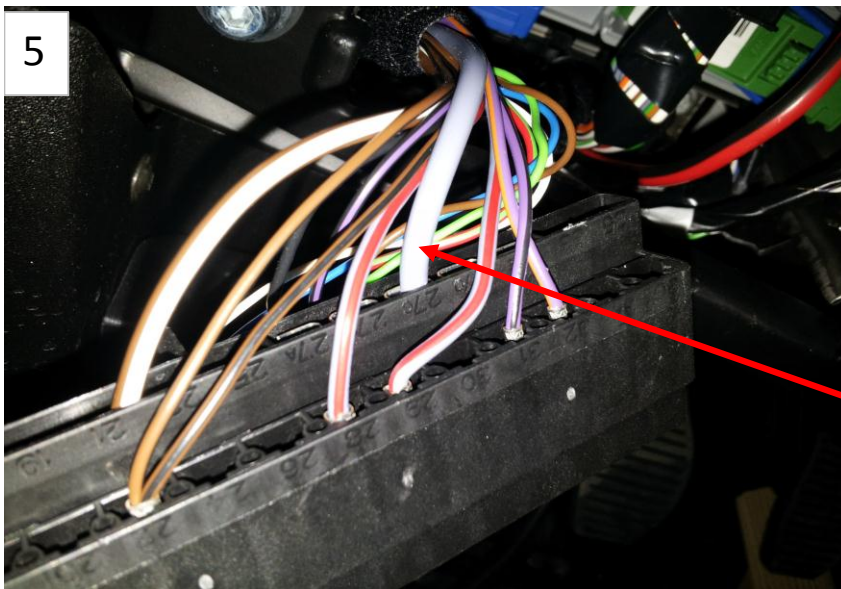
Wire in black housing:
Grey/green right front dipped beam

Grey/black left front dipped beam

No mission is impossible. sepab.se



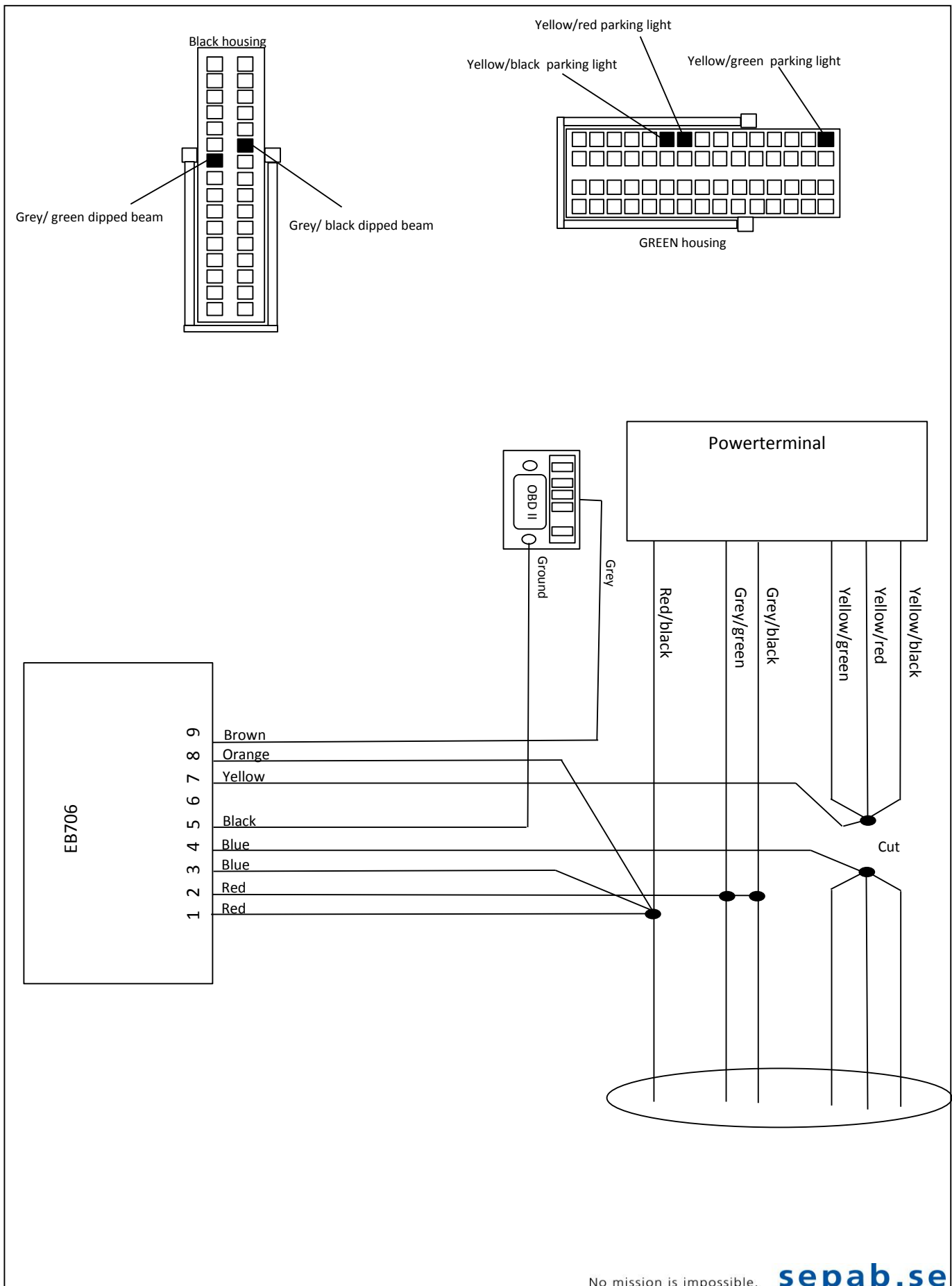
Wire in green housing:
Yellow/green
Yellow/red
Yellow/black



Demount the OBD II housing and follow the connection instruction on last page.

Grey ignition voltage

NB! Do not use the white wire on EB706, cut.



No mission is impossible. sepab.se