

Sticker Printed

DM Product Number	Product Name	Production Date
7 620 000 143	Rotterdam UBT40	2014

Field for Barcode 2/5
interconnected 7 Digits
of counting no and
DM Product No.1

CM0143 X 0000001

Rotterdam UBT40_EU 7 620 000 143

Product Number: 7 620 000 143
Product Name : Rotterdam UBT40_EU

Pin	Pin Description
1	Not Connected
2	GALA
3	Not Connected
4	Ignition
5	Switch 12V Out (max.150mA)
6	Illumination
7	Battery
8	GND
1	Not Connected
2	Not Connected
3	Speaker Front R+
4	Speaker Front R-
5	Speaker Front L+
6	Speaker Front L-
7	Not Connected
8	Not Connected
1	PREAMP OUT Left
2	PREAMP OUT Right
3	PREAMP OUT GND
4	Subwoofer out
5	Subwoofer GND
6	Remote on (12V -Amp On)
7	PHONE AF-IN+
8	PHONE AF-IN-
9	PHONE MUTE (Remote)
10	Not Connected
11	Not Connected
12	Not Connected
13	Not Connected
14	Not Connected
15	Not Connected
16	Not Connected
17	Not Connected
18	AUX3 AF GND
19	AUX3 AF L
20	AUX3 AF R
1	AUX1 AF L+
2	AUX1 AF L-
3	AUX1 AF R+
4	AUX1 AF R-
5	Not Connected
6	Not Connected
7	Not Connected
8	Not Connected
9	Not Connected
10	Not Connected

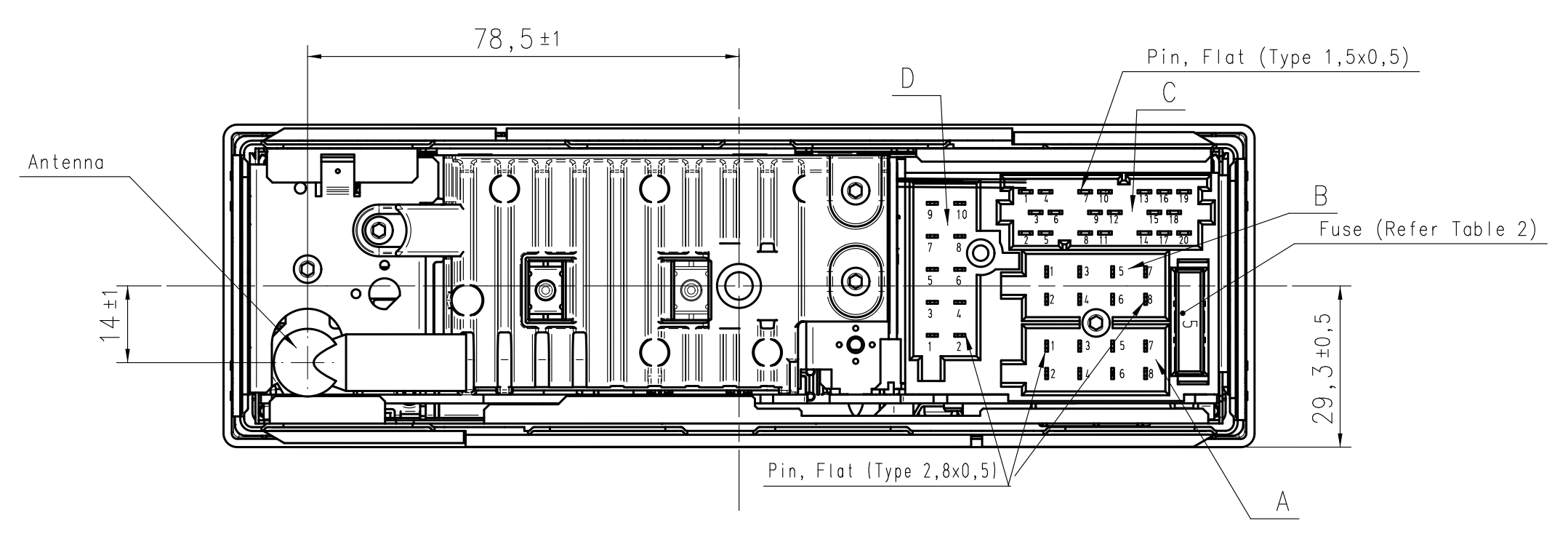
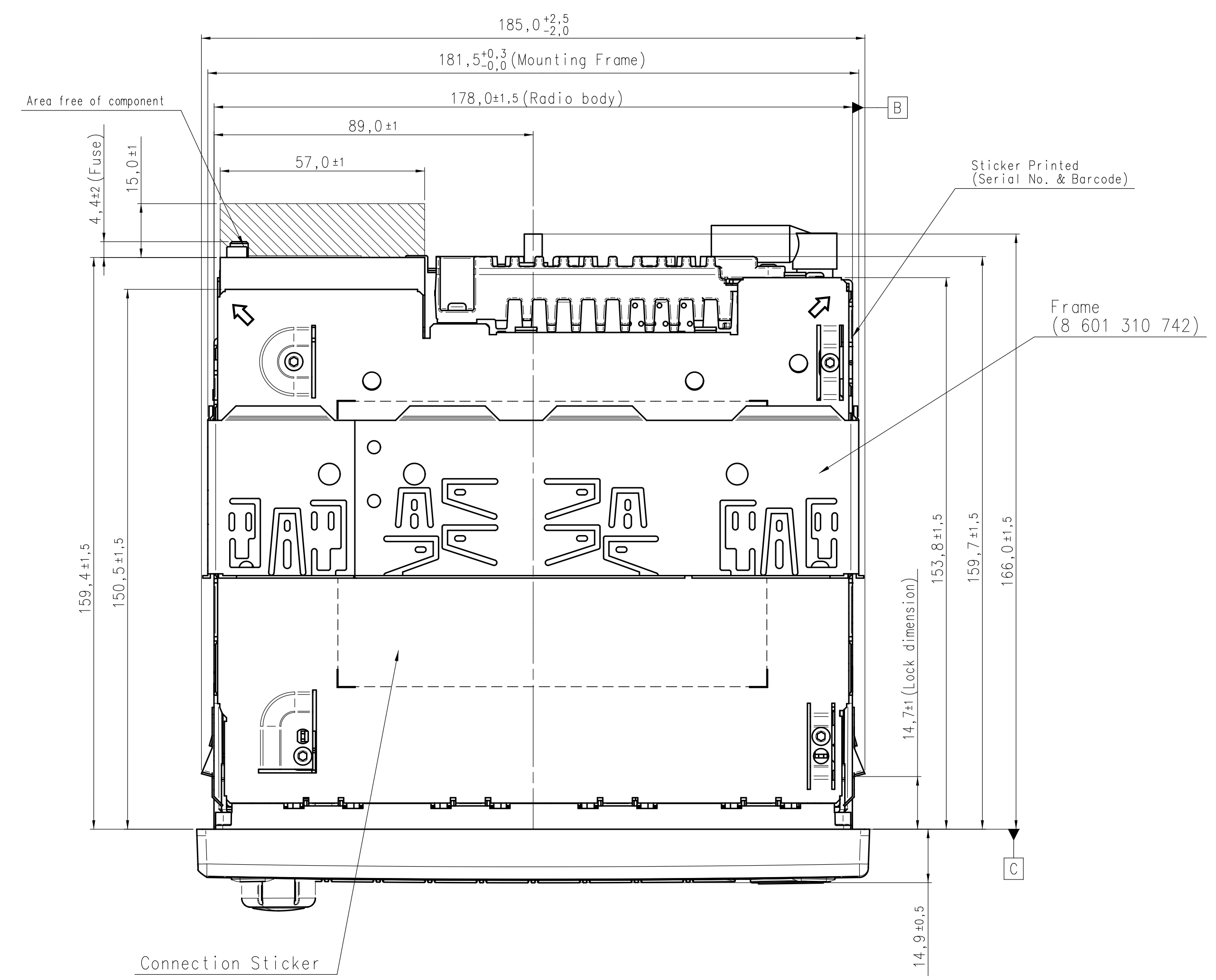
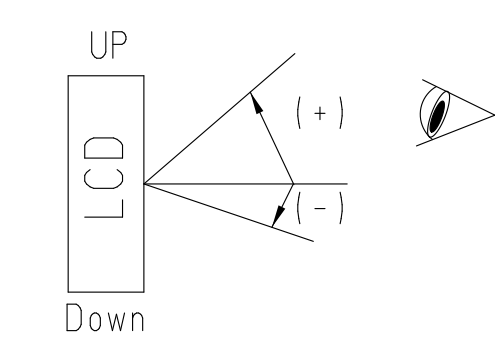
Parts	Material
Front Cover	PC+ABS (Bayblend T85)
Knob	PC Makrolon 2405, Black
Lasered Buttons	PC Makrolon 2407 white
Trim Ring	ABS Toyolac T125
Supply Box	PA66 30% GF
Cap (for IR)	PC Makrolon (Translucent Dark)

Parts	Colour Indication
1. LCD Display	Positive
2. LCD illumination	Yellow 590±8nm
3. Button illumination	Yellow 590±8nm
4. Front Cover Tempo print	White RAL 9002
5. Function Button Lasered Marked	White

Parts	Finishing
Button	Spray black
Knob	Spray black
Trim Ring	Chrome

Radio Weight : 0,90±0,2kg

12 O'clock Display (Top View)
Main view direction
Cr > 2:1 Vertical -15°C to +45°C
Horizontal -50°C to +50°C
Cr > 5:1 Vertical 0°C to +35°C
Horizontal -45°C to +45°C
Cr > 10:1 Vertical +10°C to +30°C
Horizontal -45°C to +45°C



SPC checked dimension with Cpk ≥ 1,33

This drawing contains only the essential mounting dimensions. Further dimensions can be referred to part drawings. The given tolerances are meant for acceptance purpose.

Part has to correspond with Bosch standard N2580-1
This drawing contains 2 special characteristics.

EMC: E1: ECE R10 D4 6092, CE, FCC

ISO 9001

PCB-Transfer-File		CAD Drawing		ID
Project: Team: Idgas_END_BPP-PS_Truck2010				
3	6	9	12	Replaces:
4	5	8	11	
1	2	7	10	Replaced by:
1	2	3	4	5
1	2	3	4	5
Valid for production				
Material:	First Use	Rev.:	Part name/Part title	
	7 620 000 143	001	Rotterdam UBT40_EU	
Drawing-Nr./Ref.no.:		Scale		
7 620 000 143EA		1:1		
No. of sheets:		Sheet no.:		
1		1		
This includes:				