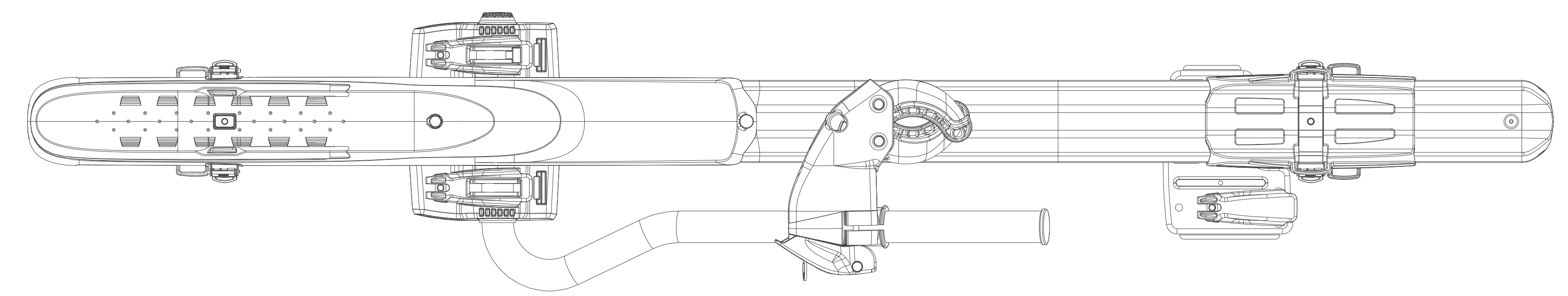
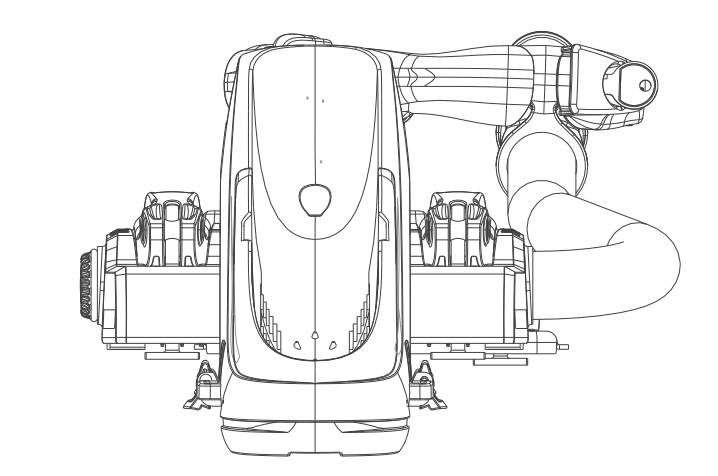
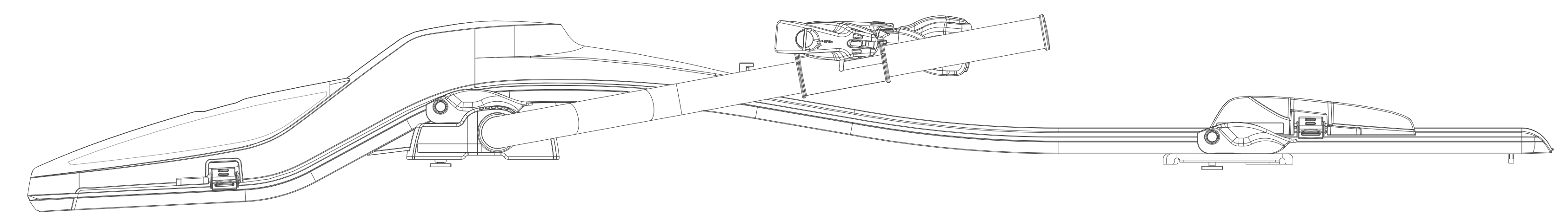
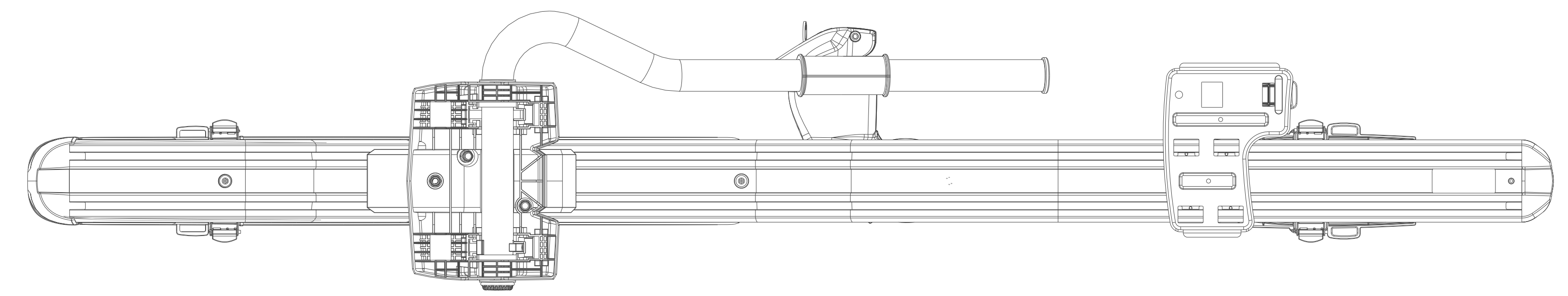
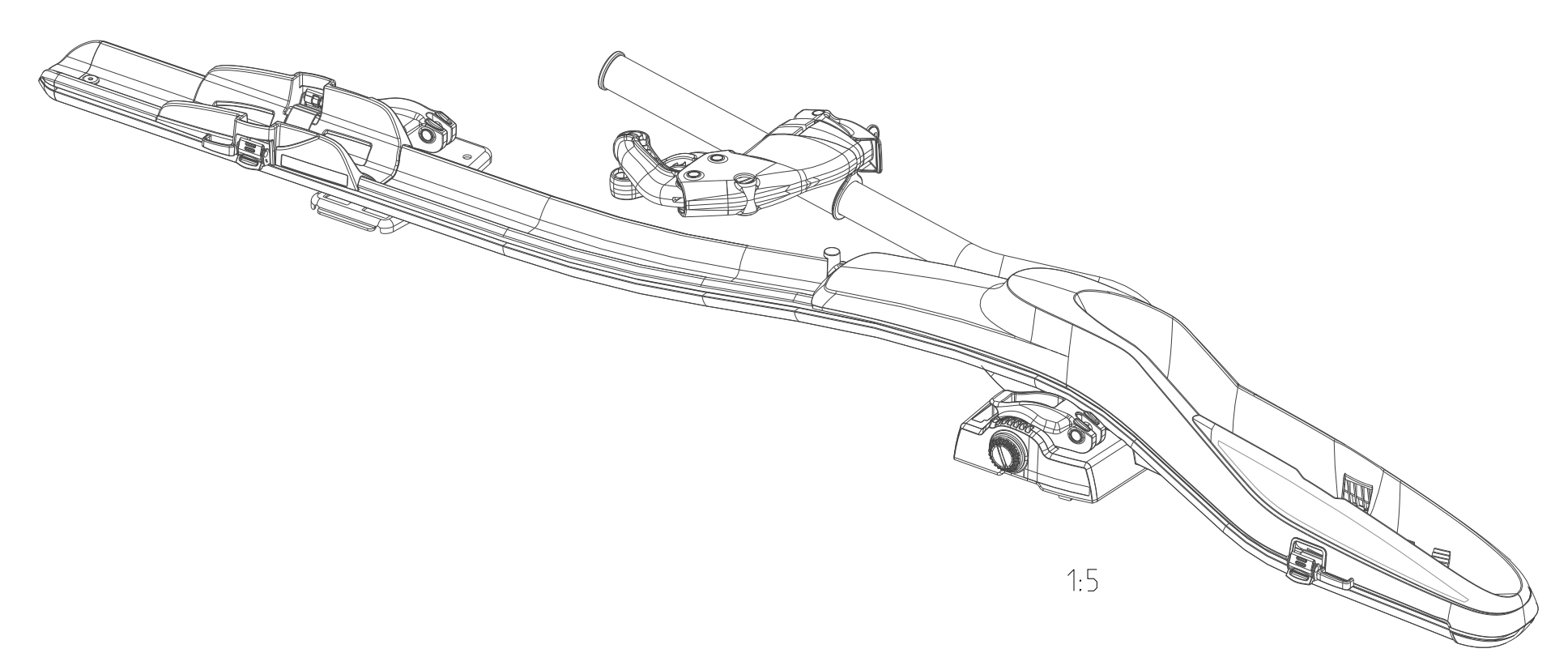
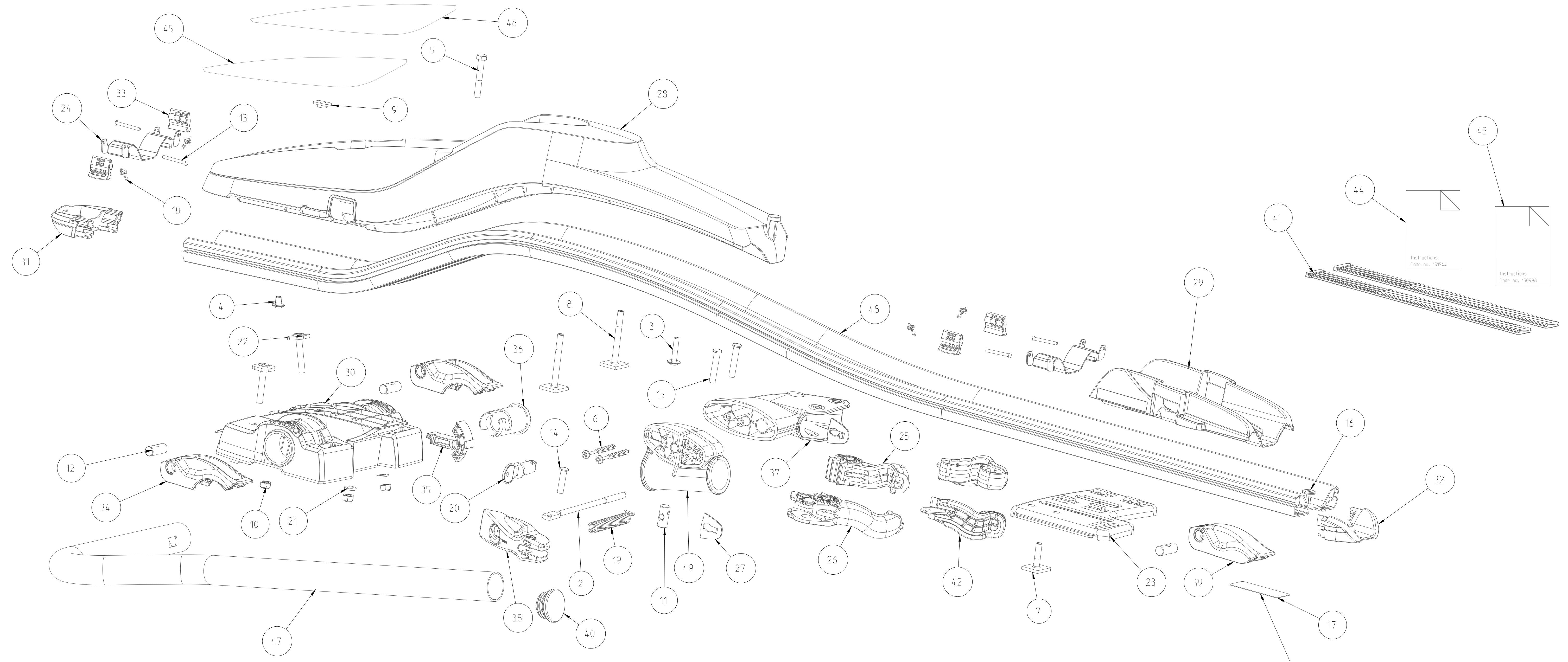


Rev	Qty	Design change description	Date	Revised by
2a	1	T-screw replaced, was 016532	200903	MOR
2b	1	Blind rivet added	200903	MOR
2c	1	Sticker right added	200903	MOR
2d	1	Sticker left added	200903	MOR
3	1	Cardboard box replaced with Mont Blanc branded	200917	MOR
4	2	Parts change due to material change - add tracability sticker	2022-05-20	SAS



- Cardboard box: Code no. 157452
- = is included in poly bag Code no: 399382
- Right mounted code no: 729803
- Left mounted code no: 729807



MBFR address  
 Type : Roof Bike Carrier  
 Model : according to PN729803 or 729807  
 Max load : 17kg  
 standard : ISO 11154-H 2007  
 Ref : according to PN729803 or 729807  
 Tracability number

Qty	Name	Material	Type	Code no	Draw no
49	Pipe attachment Discovery	PA6 30GF	PART	305760	20006110
48	Profile Discovery	EN Aw-6060 T6	PART	291165	20005663
47	Frame holder pipe Discovery	Form 220 Z	PART	216711	20005934
46	Sticker Right		PART	154128	154128
45	Sticker Left		PART	154127	154127
44	Inst. Manual RoofSprint AluFit	Paper	PART	151544	20006776_022
43	Fitting instruction	Paper	PART	150998	20006952_001
42	Rubber guard Barracuda	SEBS	PART	142498	20003762
41	Ratchet Strap 270mm	Isotane 10550	PART	122295	20006054
40	Upper endcap Barracuda	CO-PP	PART	122291	20003756
39	Lever back Barracuda	PA6 30GF	PART	122289	20003751
38	Lever Frame holder Barracuda	PA630GF	PART	122285	20003760
37	Frame holder house Barracuda	PA6 30GF	PART	122284	20003757
36	Lever endcap Barracuda	PA630GF	PART	122283	20003748
35	T-lock Barracuda	PA630GF	PART	122282	20003746
34	Lever front Barracuda	PA630GF	PART	122281	20003745
33	Clip Discovery	PA6 GF	PART	122265	20006084
32	End cap rear Discovery	PA6	PART	122264	20005861
31	End cap front Discovery	PA6	PART	122263	20005863
30	Pipe holder Discovery Neutral	PA6 30GF	PART	122262	20005852_02
29	Wheel holder rear Discovery Neutral	PA6 15GF	PART	122261	20005864_02
28	Wheel holder front Discovery	PA6 30 GF	PART	122260	20005856
27	Twist lock plate Barracuda	SS1426	PART	113081	20003749
26	Inside claw RoofSprint	PA66 50GF - Grivory GV-SH	PART	113012	20009673
25	Outside claw RoofSprint	PA66 50GF - Grivory GV-SH	PART	113011	20009672
24	Strap Holder Plate	Ducal 800	PART	113007	20005855_01
23	Rear load bar plate	SS218x200	PART	113006	20005853
22	Square Screw M6x40	4.6	ASSEMBLY	111176	20008009
21	BRB 6.4x12x15	STEEL HV200	PART	111125	02667_012
20	Lock 900		ASSEMBLY	075506	00089_003
19	Frame spring Barracuda	DIN 17223 sorte c	PART	073016	20003765_001
18	Torsion spring Discovery	EN 9270-3-1.4310-NS-0.90	PART	072997	20006092
17	Adhesif tracabilite vierge		PART	54986	54986
16	Blind Rivet	AL/ST	PART	045526	20006926_017
15	Rivet PHN dia 6x33	GS132/36	PART	041633	01555_020
14	Rivet PHN dia 6x24.5	GS132/36	PART	041625	01555_022
13	Rivet 3x29	AlSi 430	PART	041329	20006093_001
12	Cotter Pin M6	SS-EN 10277-3	PART	027325	20003805_001
11	Cotter Pin M6 10x22	SS90%	PART	027308	20003763
10	Locking Nut Nylock M6	6	PART	025303	20006072
9	Square nut M6 Barracuda	4.6	PART	021411	20003848
8	M6x56	8.8	PART	016556	20004554_002
7	M6x27	8.8	PART	016526	20004554_001
6	Screw Torx Sx50	ISO 898-1 10.9	PART	016350	20006126_001
5	Screw M6x5 M6	4.6	PART	015341	02261_011
4	M6S with flange M6x8	10.9	PART	013307	20005978
3	HEMFORM Sx25 with flange	9.8	PART	013325	20005977
2	Hot screw M6 Barracuda	8.8	PART	010605	20003764_002
1	Skeleton nil 20003754.asm		SKELTON MODEL	20003754C_SKE	