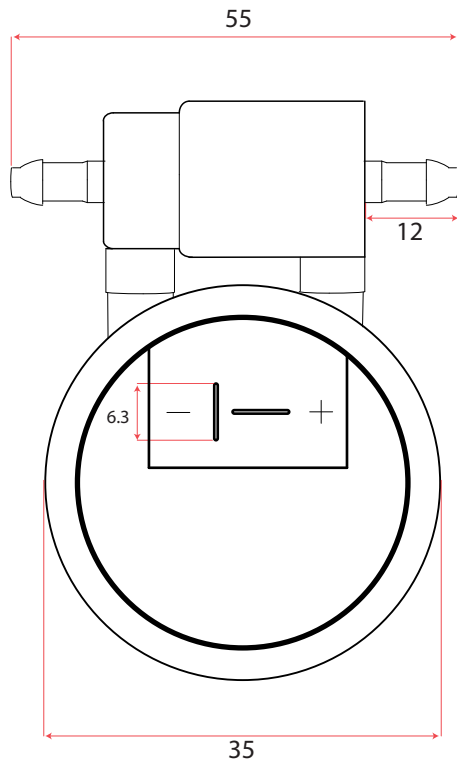
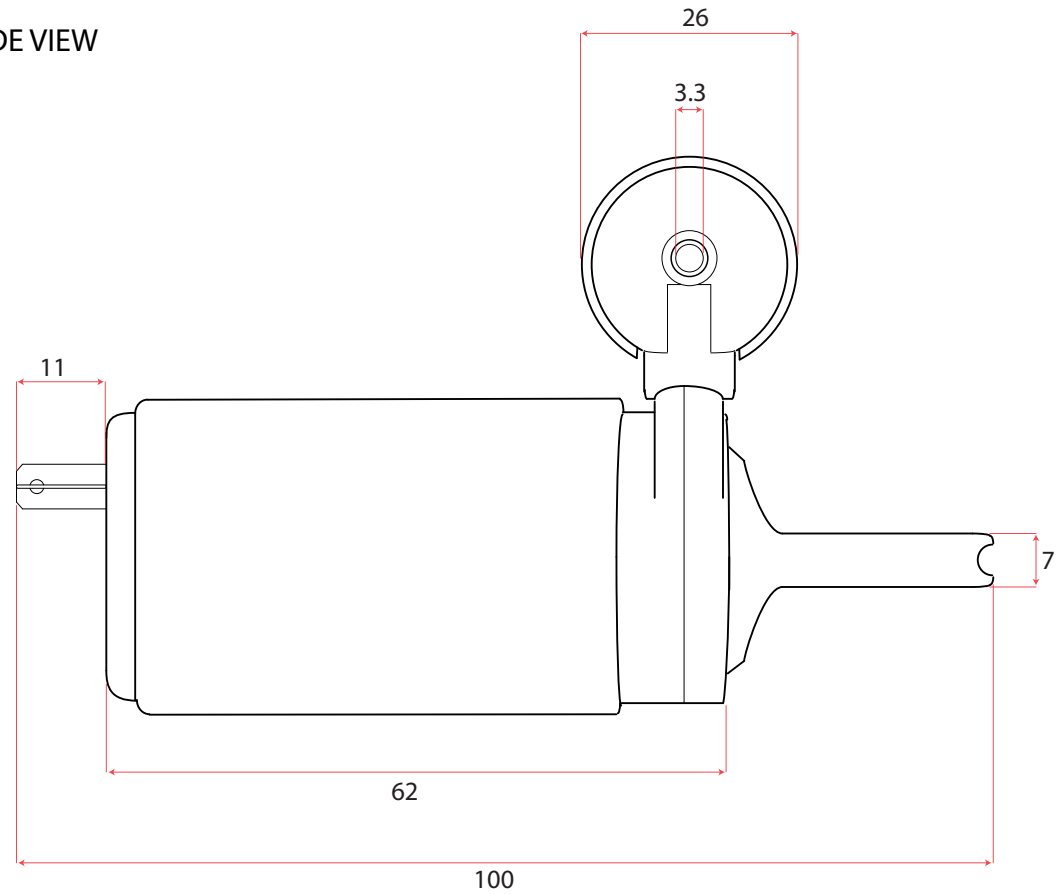


FRONT VIEW



SIDE VIEW



+ / - 5% All Dimensions In MM

Part Number	S 010 005
Voltage	12v
Operating Current	4A
Discharge Pressure (kPa)	120
Discharge Pressure (BAR)	1.2
Flow Rate (With Jet)	150ml/10Sec / 200ml/10Sec

Operating Environment	-30°C~+85°C
Weight	85g