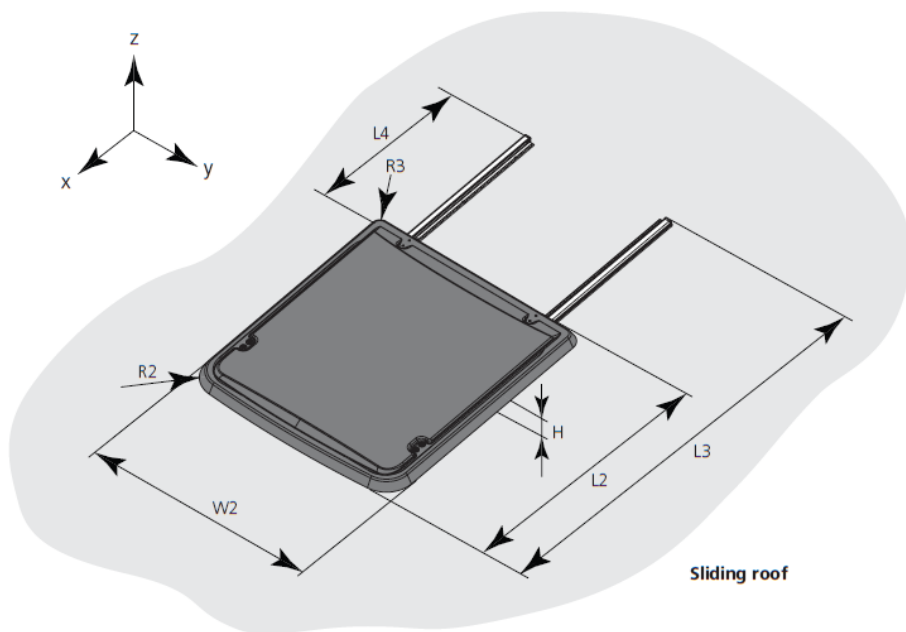


Cut out



Sliding roof

### Technical specifications

Description	BlueSky
<b>General</b>	
Part no.	3396715
Operation	Continuous electric
Operation voltage (DC) [V]	12
Power (at 20 A, 12 V) [W]	240
Control panel	Rocker switch
Installation method	Frame and rails screwed on deck / roof / surface
Average installation time [h]	4
Frame materials	AlMg Si 0.5
Surface treatment	Anodized
Panel	PMMA, grey, 2x 3 mm
Allowable weight	Not designed as walking surface Max. load in accordance with ISO 12216, category B, area III
Allowable temperature	-10 to +75
Possibility to use as escape hatch	No

Cut out dimensions		
L1	Length [mm]	770 +0 / +4
W1	Width [mm]	720 +0 / +4
	Longitudinal curvature [mm]	Uncurved
R1	Corner radius [mm]	65 ±2
	Cross curvature [mm]	Uncurved

Dimensions		
L2	Length [mm]	922
L3	Overall length [mm]	1490
L4	Rear rail length [mm]	630
W2	Width [mm]	811
H	Height [mm]	60
	Longitudinal curvature [mm]	Uncurved
R2	Front corner radius [mm]	100
R3	Rear corner radius [mm]	45
	Cross curvature [mm]	Uncurved
Panel displacement		
	"tilt" (Z-direction) [mm]	36
	"slide" (X-direction) [mm]	545

Weight	
[kg]	14

Optics	
Colour panel	Dark grey tinted
Interior	Blank anodised
Panel fixation	Bolted on mechanism