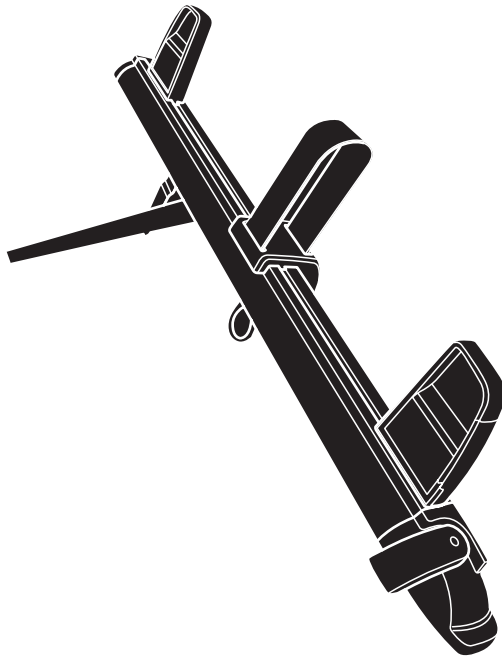
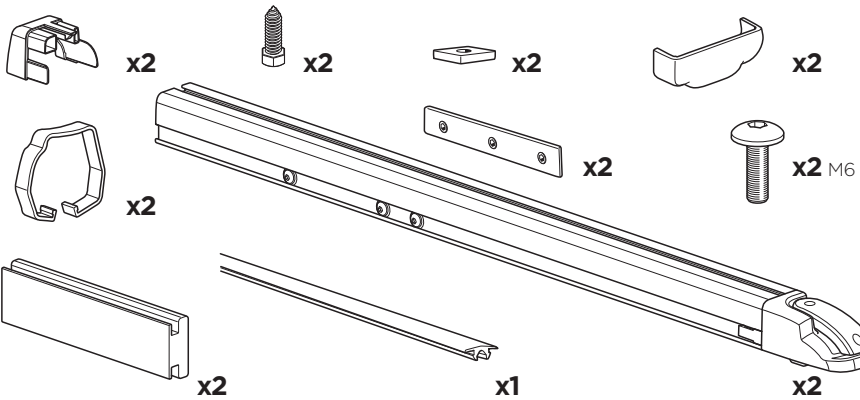
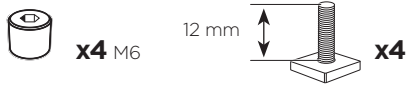
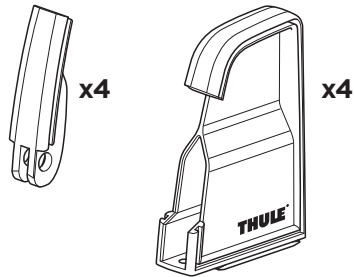
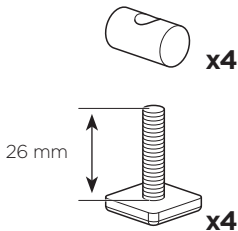
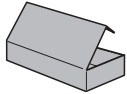
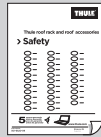
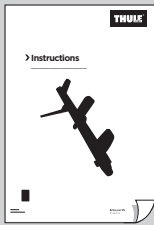
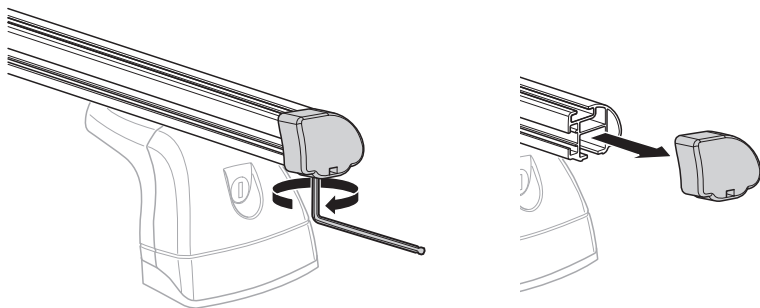
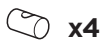
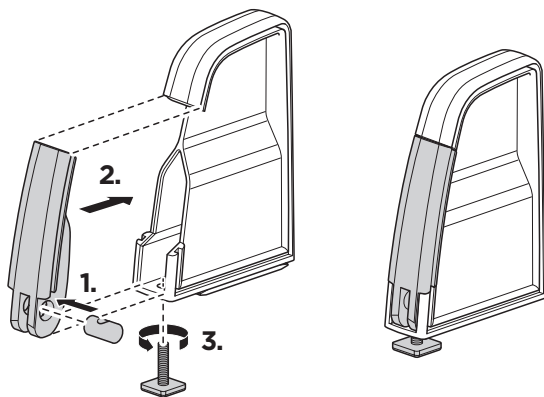
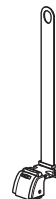
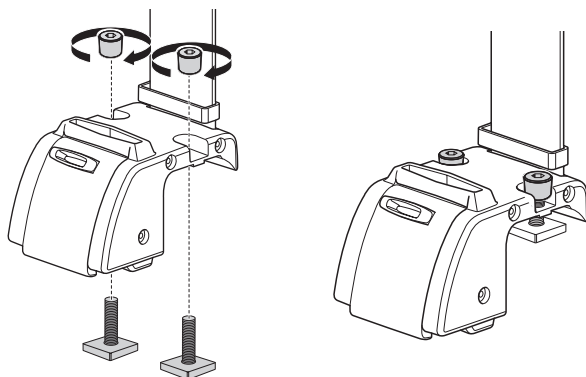


> Instructions

Thule Ladder Tilt 311



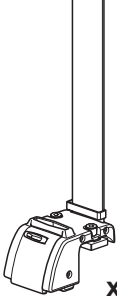


1**2****x4****x4****x4****x4****x4****x4****x2**

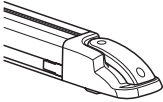
3



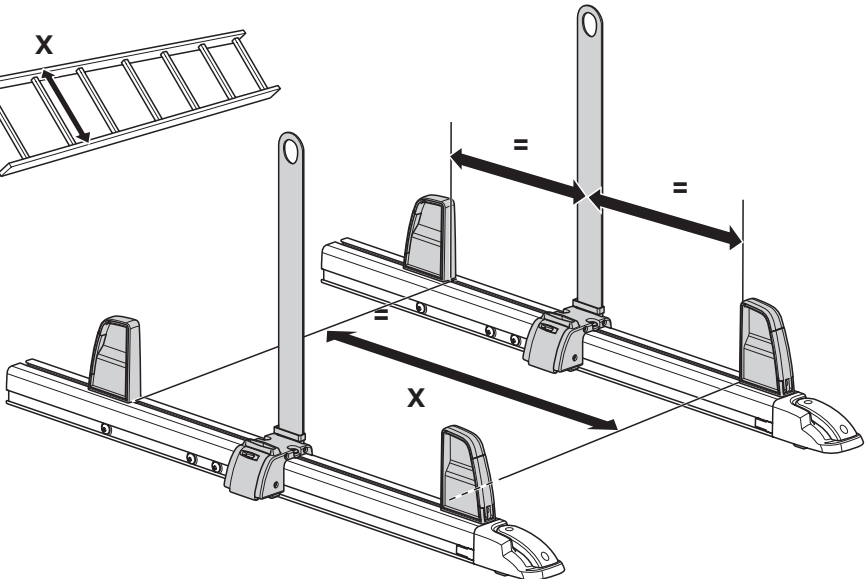
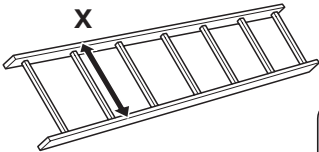
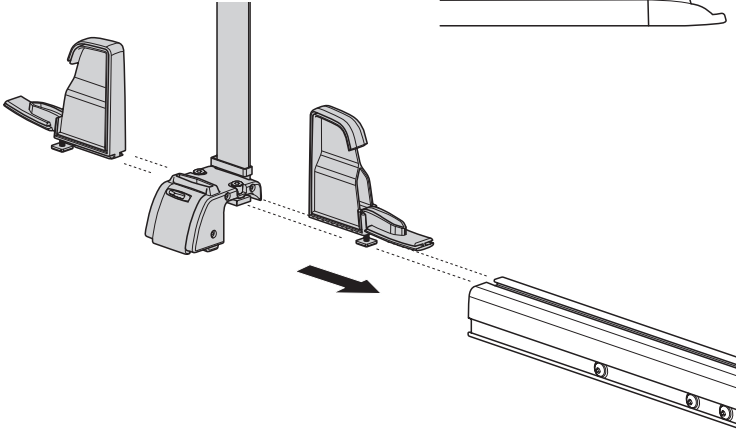
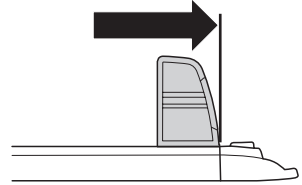
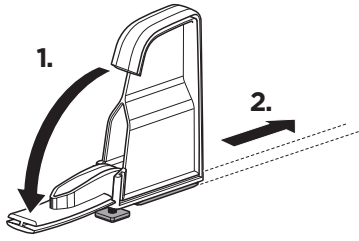
x4



x2

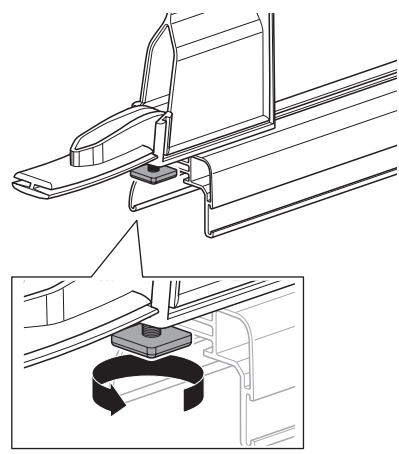
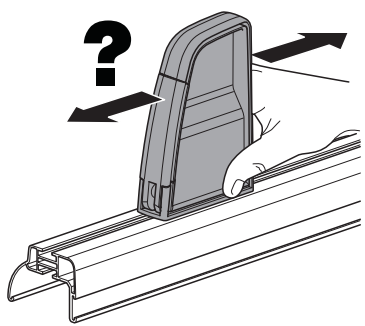
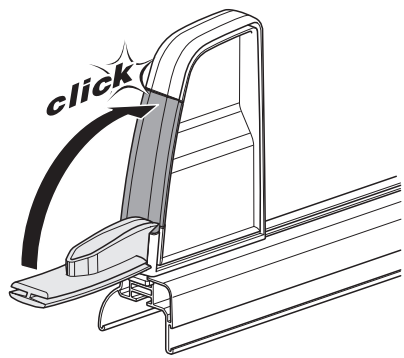
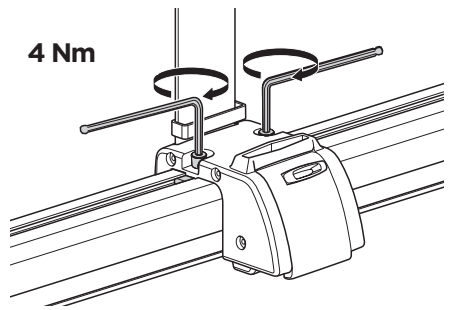


x2

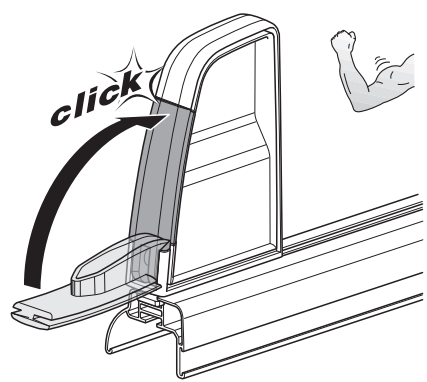


4

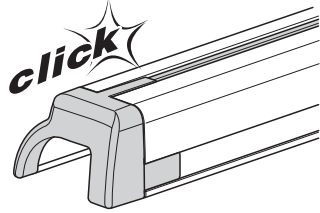
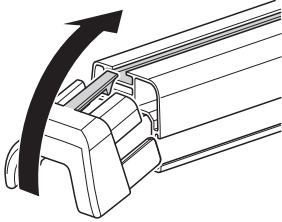
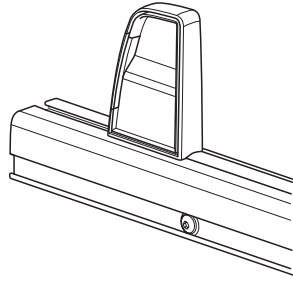
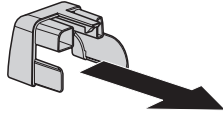
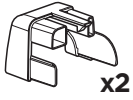
4 Nm



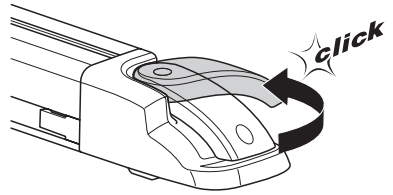
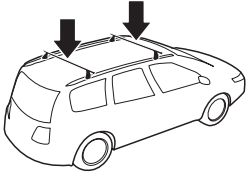
10-15 kg



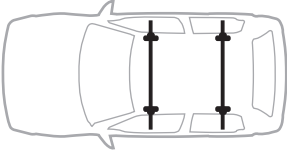
5



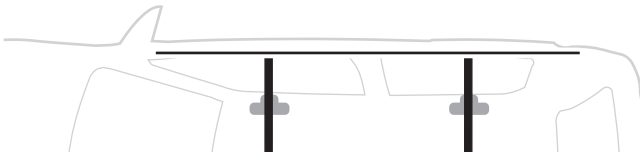
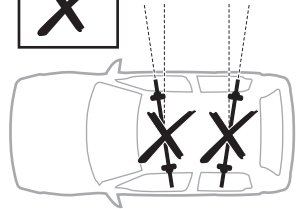
6



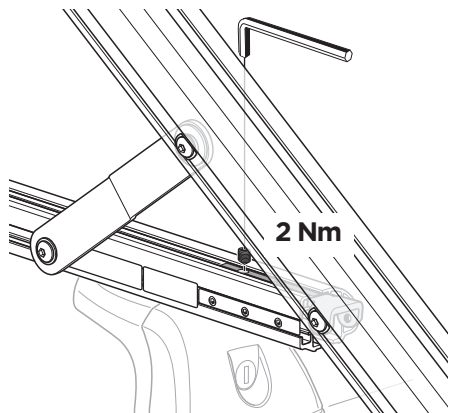
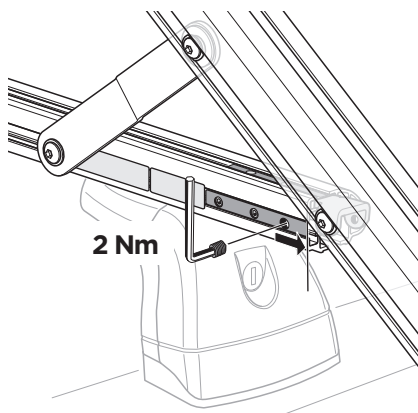
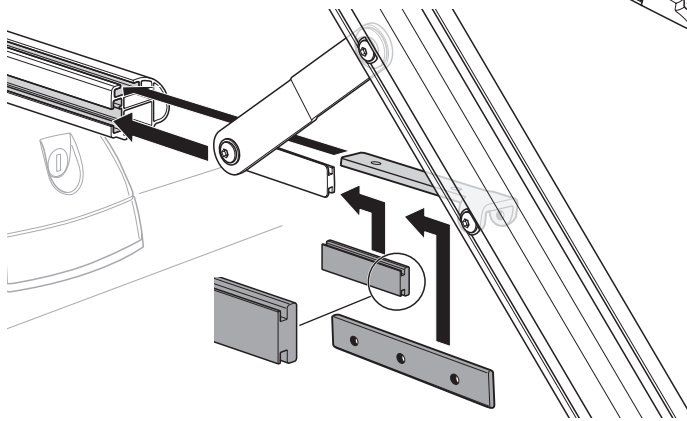
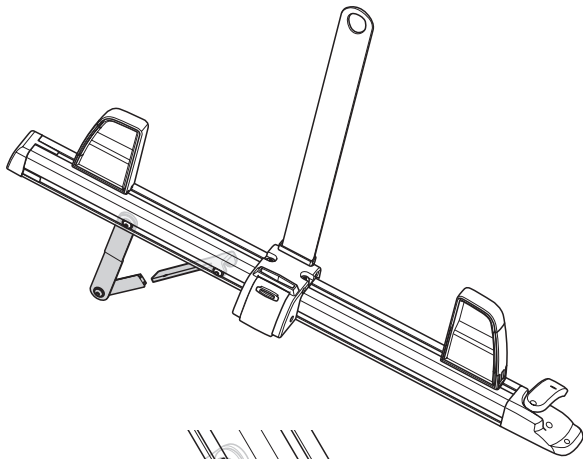
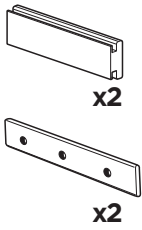
ok



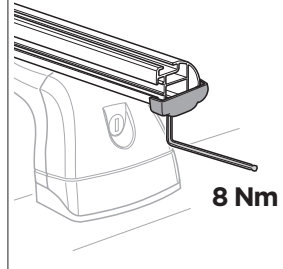
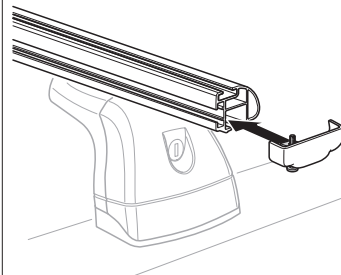
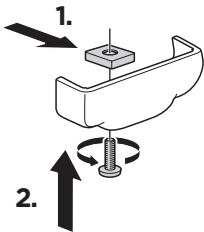
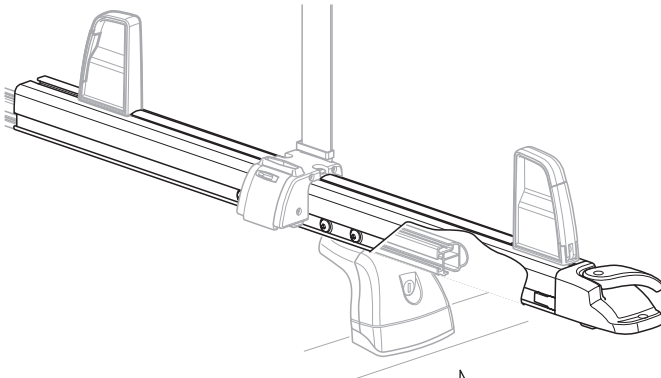
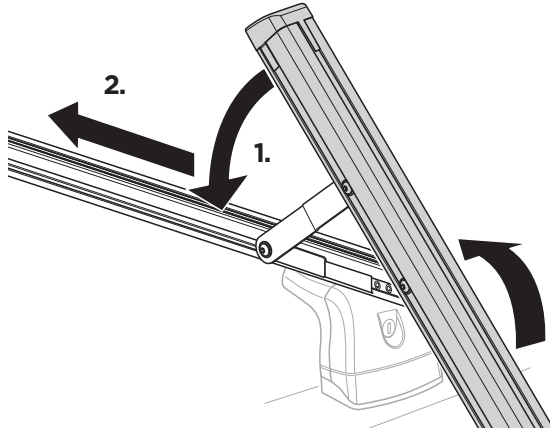
Not ok



7



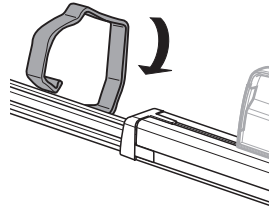
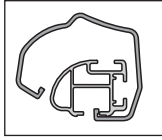
8



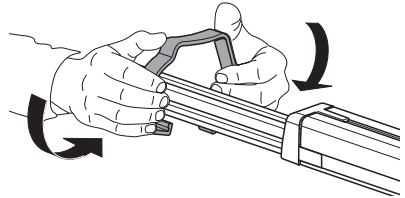
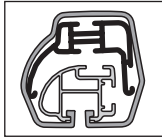
9



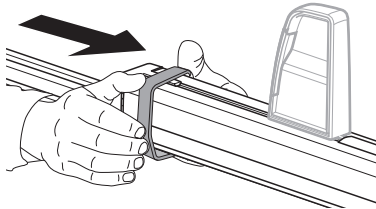
1.



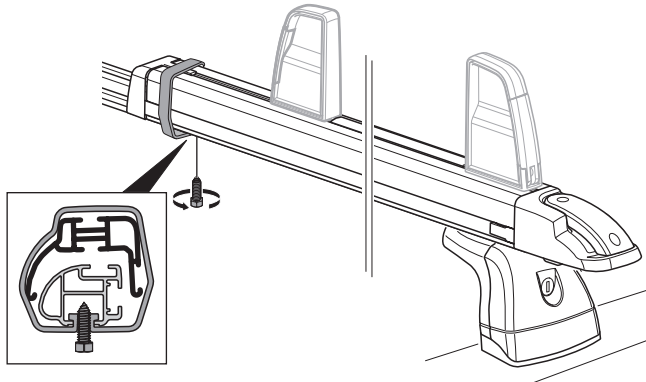
2.



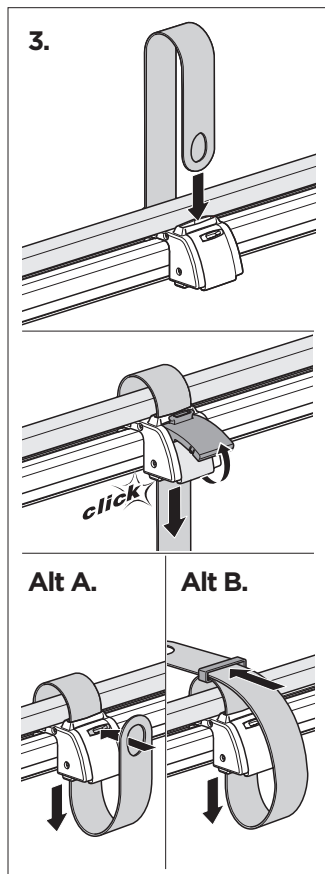
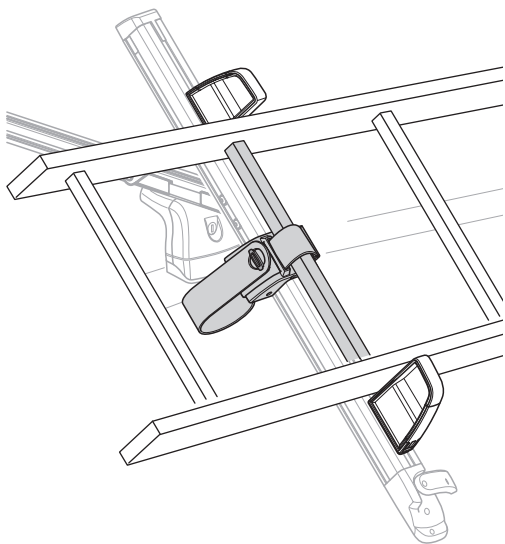
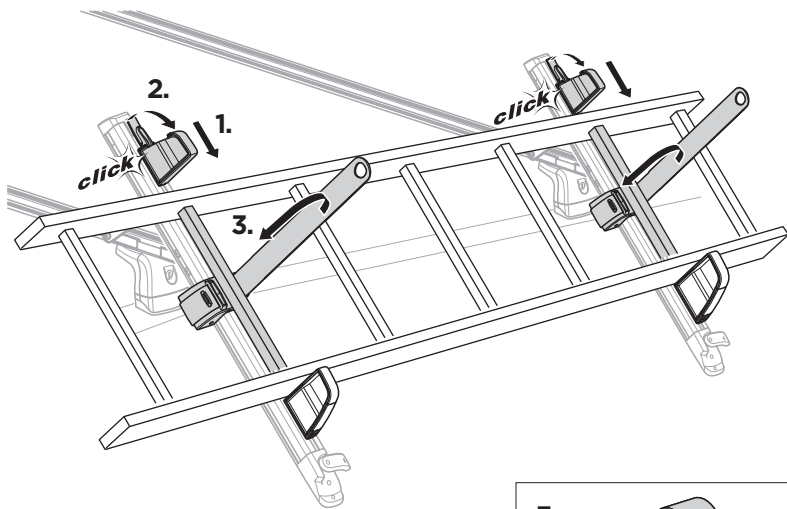
3.



4.

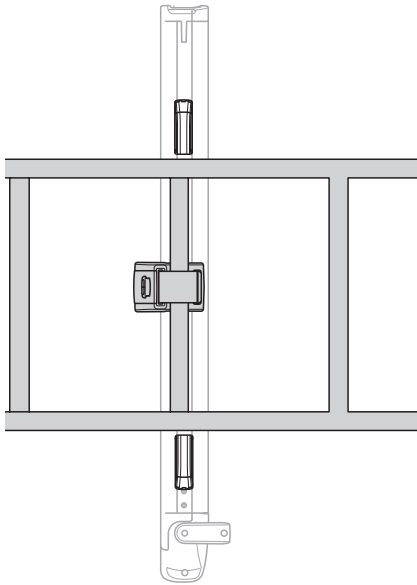


10

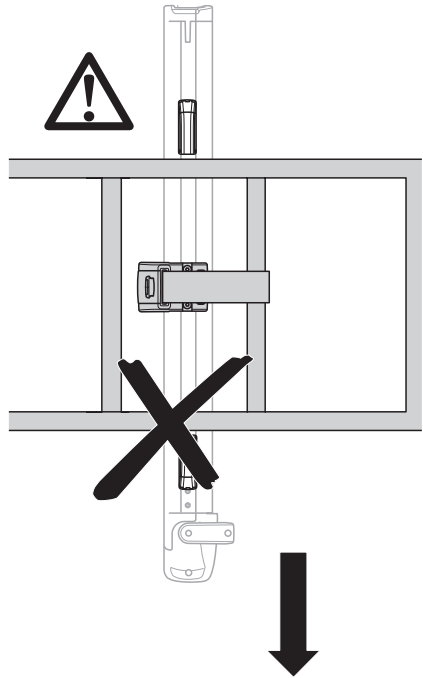


i

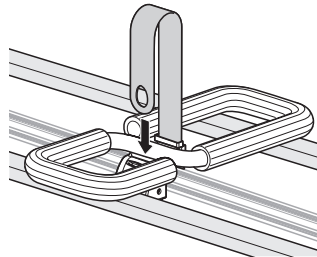
ok

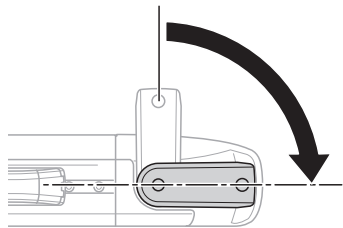
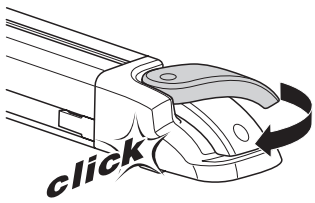
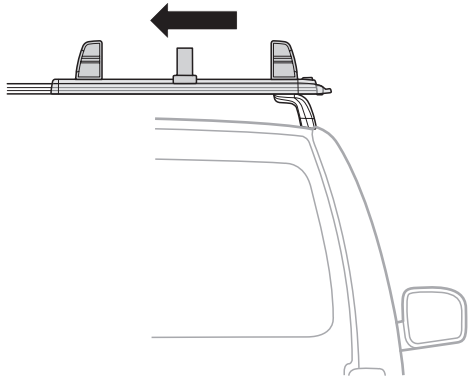
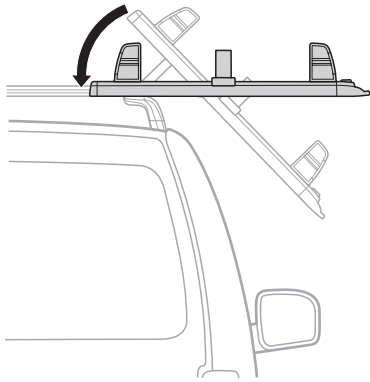
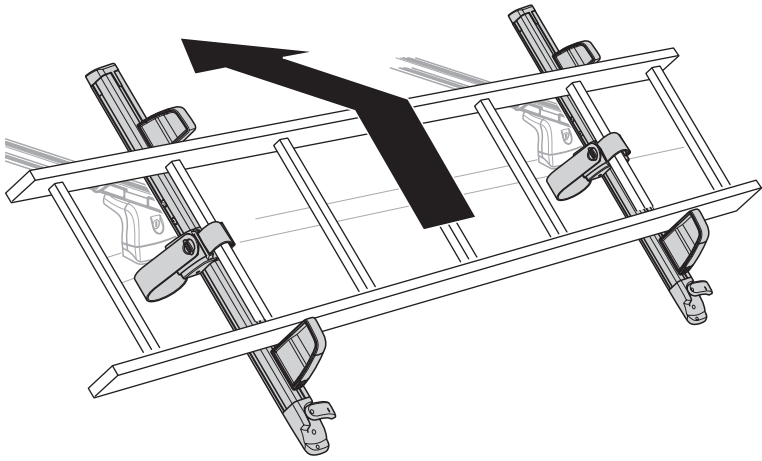
Not ok

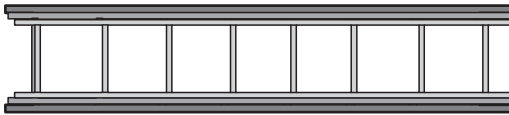
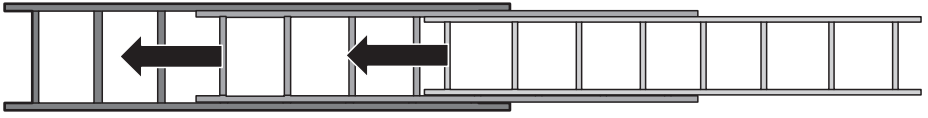
310



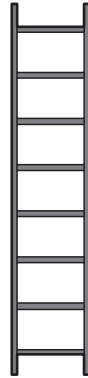
11



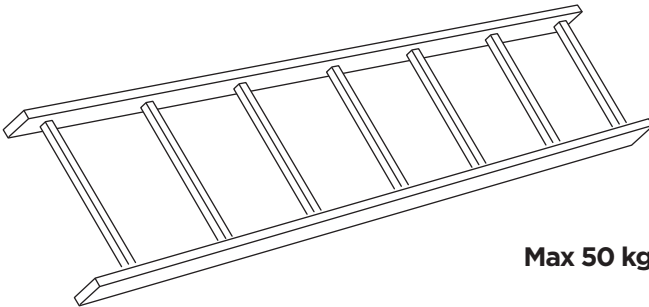
i



Max 3



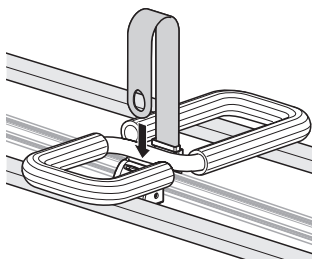
i



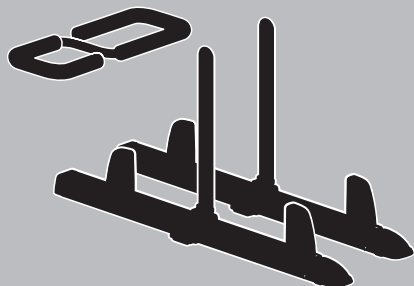
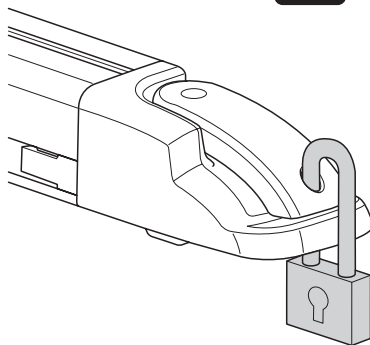
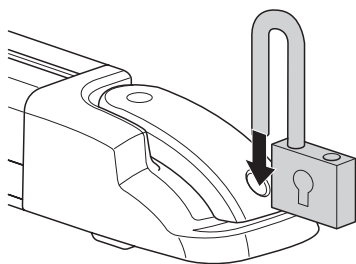
Max 50 kg

i

310



i

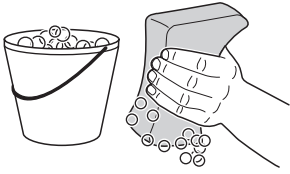


10,5 kg

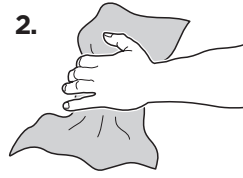




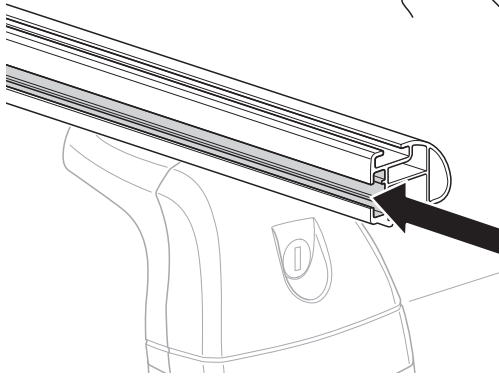
1.



2.



3.





Thule Sweden AB, Borggatan 5
335 73 Hillerstorp, SWEDEN

› PART OF THULE GROUP



info@thule.com

© Thule Group 2018. All rights reserved.



www.thule.com

501-7171-09