



2a
01
9903

COMMUNICATION



concerning:

APPROVAL GRANTED
~~APPROVAL EXTENDED~~
~~APPROVAL REFUSED~~
~~APPROVAL WITHDRAWN~~
~~PRODUCTION DEFINITELY DISCONTINUED~~

of a type of rear direction indicator of category 2a

pursuant to Regulation No. 6/01

Approval No. 9903


Extension No.-

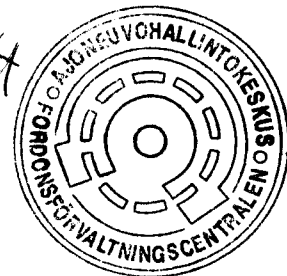
- | | |
|--------------------------------------------------------------------------|-----------------------------------------------------------------------------------------------------------------------|
| 1. Trade name or mark of the device: | Talmu 14 1179-190
Hella 2SD 964 169-11 |
| 2. Manufacturer's name for the type of device: | rear combination lamp 1179 with rear direction indicator and stop- rear position (side) lamp |
| 3. Manufacturer's name and address: | OY TALMU AB
FIN-24100 Salo, Finland |
| 4. If applicable, name and address of the manufacturer's representative: | n.a. |
| 5. Submitted for approval on: | 19.1.1999 |
| 6. Technical service responsible for conducting approval tests: | VTT AUTOMATION
Product Technology
Laboratory of Lighting Technology
P.O. Box 13051
FIN-02044 VTT, Finland |





7. Date of test report: 30.12.1998
8. Number of test report: AUT/TES/115/98
9. Concise description:
- Category: 2a
- number and category of filament lamp(s): one lamp, P21W
10. Position of the approval mark: on the lens, see drawing No. 014246-00
11. Reason(s) for extension (if applicable): n.a.
12. Approval: ~~granted/refused/extended/withdrawn~~
13. Place: Helsinki
14. Date: 19.2.1999
15. Signature:


Martti Lahti
Head of Unit



16. The list of documents deposited with the Administrative Service which has granted approval is annexed to this communication and may be obtained on request.

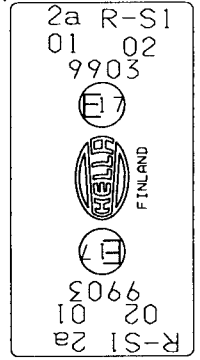
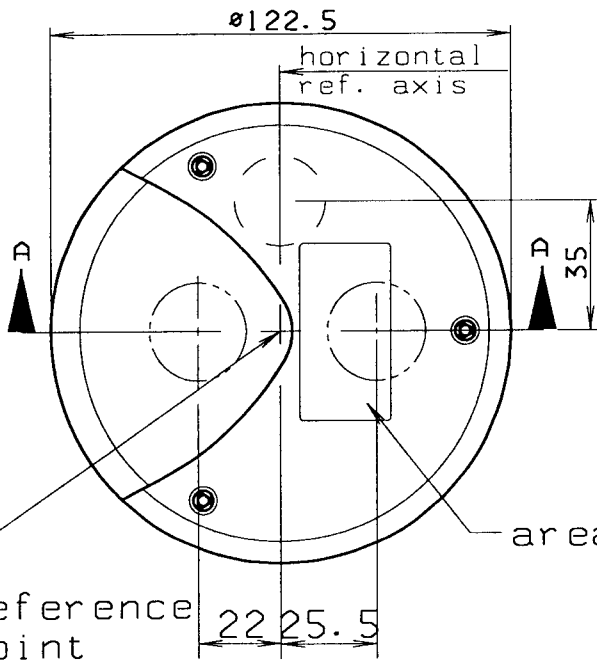
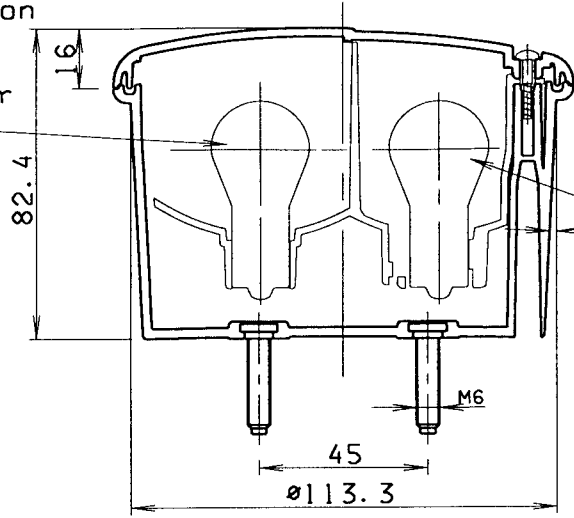
Test report No. AUT/TES/115/98
Drawing No. 014246-00
014262-00

2a
01
9903



rear direction
indicator
category 2a
colour: amber
lamp: P21W

rear position
(side) lamp
reciprocally
incorporated with
stop lamp
category S1
colour: red
lamp: P21W/5W



area for markings

reference point

Talmu product number: 14 1179-190 with fixing screws
Hella product number: 2SD 964 169-11 with " " "

2a R-S1
01 02
9903



1 : 2

ISO-E	DRAWN	08.12.1998	EHA
	EXAM.		
	GROUP		TUKE



OY TALMU AB
FINLAND

PART NAME		MODE
REAR COMBINATION LAMP 1179 / 6		H
DRAWING NO		ISO-A
014246-00		4
MCADAM		

Determining the lower, upper and lateral limits of the illuminating surface of the lamp device.
 According to European DIRECTIVE 91/663/EEC, Annex I
 "Installation of lightning and light-signalling devices",
 clause 1.9.2.
 According to ECE regulation 48/01
 "Installation of lightning and light-signalling devices",
 clause 2.9.2.

figure 1 A

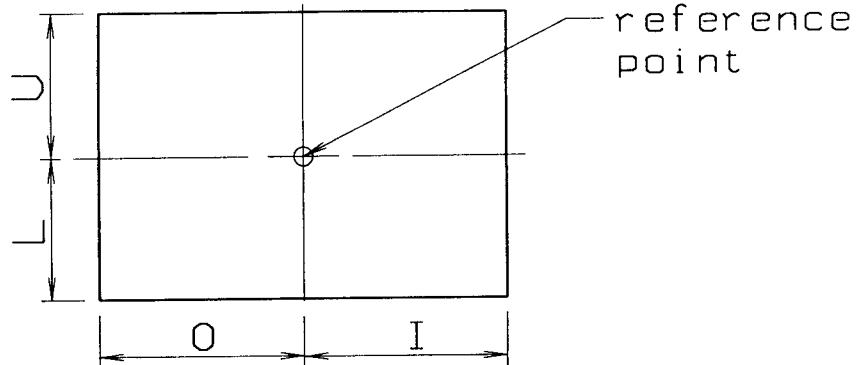
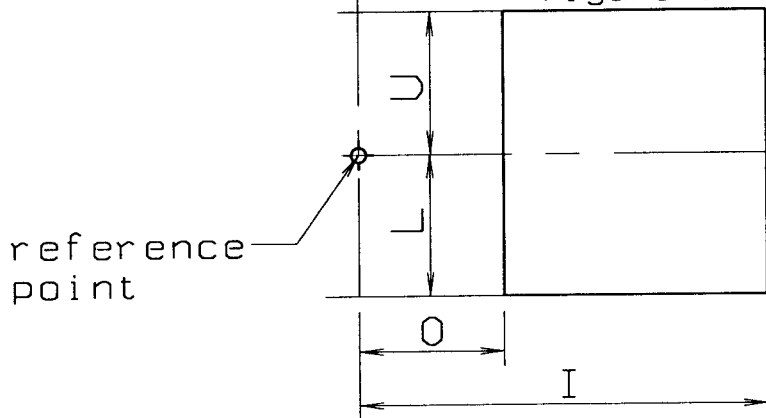


figure 1 B



Function	upper limit (U) mm	lower limit (L) mm	outer limit (O) mm	inner limit (I) mm	Fig.
Rear position (side) lamp	40	40	48	10	1 A
Stop lamp	39	39	49	10	1 A
Direction indicator lamp	31	32	2	49	1 B

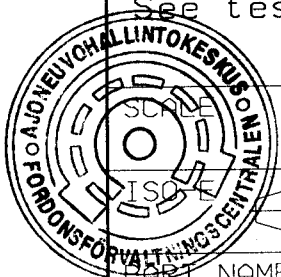
Belongs drw. no: 014246-00

2a R-S1

01 02

9903

See test report VTT AUT/TES/115/98



	DATE	NAME
DRAWN	13.01.1999	EHa
EXAM.		
GROUP		TUKE



OY TALMU AB
FINLAND

PART NAME		MODE
REAR COMBINATION LAMP 1179/X		H
ILLUMINATING SURFACE	DRAWING NO	ISO-A
	014262-00	4
MCADAM		