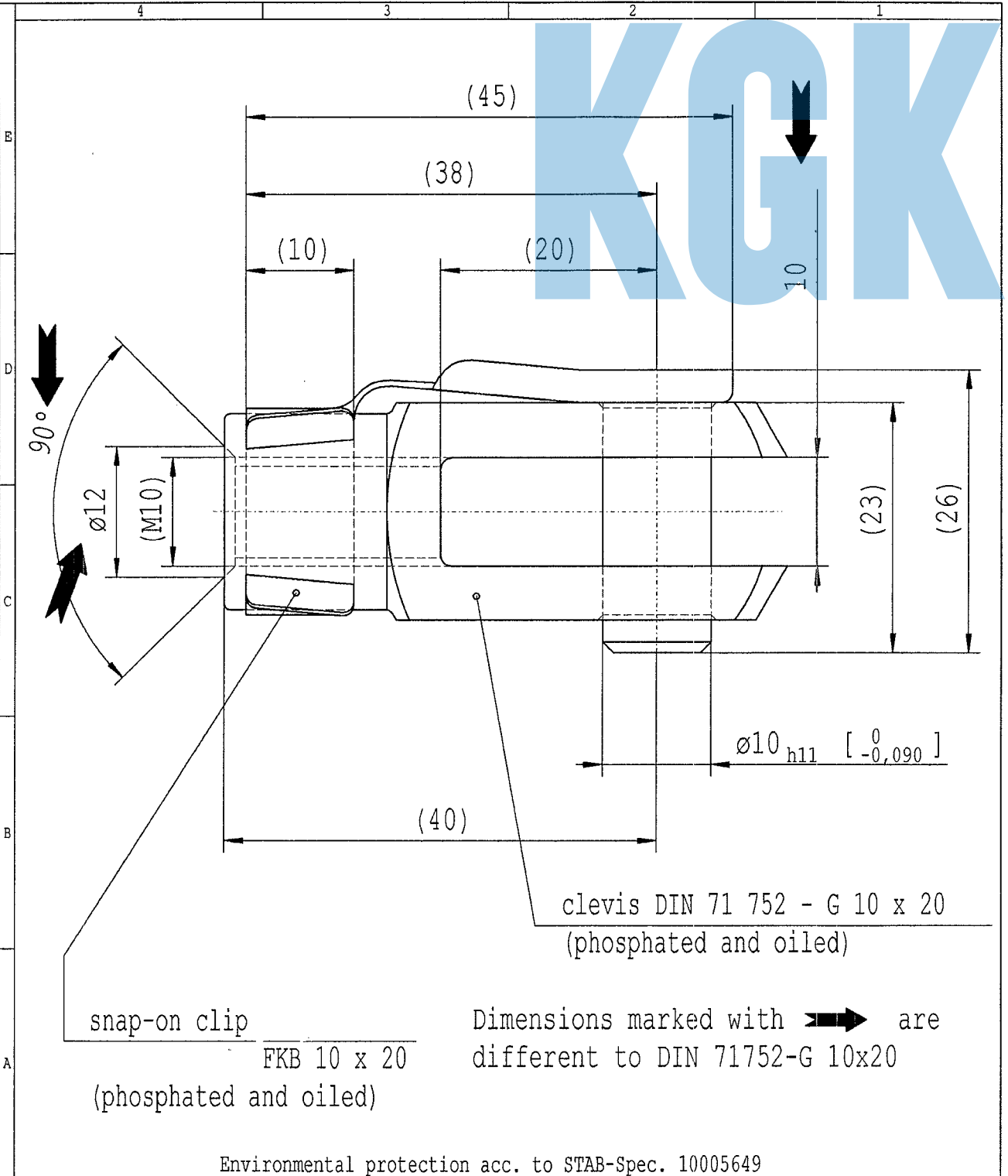


The print-out is not subject to the modification service.

Intended for internal and external use

EN



snap-on clip
 FKB 10 x 20
 (phosphated and oiled)

Dimensions marked with are
 different to DIN 71752-G 10x20

Environmental protection acc. to STAB-Spec. 10005649

DE: X	EN: X	ES:	IT:	PR:	FR:	CAD created document; handwritten changes not permitted					
new	CAD-drawing	Rework	10 ^{B13}	[^{+0,378} _{+0,150}]	10 ^{A3/4}	ø12	90°	phosphated and oiled	intr. Engl. version	new frame	
old	ink-drawing	%	10 ^{B12}	[^{+0,300} _{+0,150}]	10 ^{B13}	ø11	120°	zinc-plated	%	%	
Field	%		C/D	1/2	DE	1/2	C4	CD4	A3/4, B1/2	%	%
Date/Name	09.09.1994 Kornely		21.11.1994 Jablonski		27.4.95 Keßelh.			20.12.96 Keßelh.	12.04.2002 Suß		09.10.2003 Jab.
Chg. No.	2373/94		2872/94		0304/95			2383/96	519730		531966
Rev.	3		4		5			6	7		8

Ident. Doc.:	Material: per DIN	All dimensions are in mm	Identification of important characteristics	Date	Name	
	Edge tolerances acc. to DIN ISO 13715	Scale: (Original DIN A4) 2:1	Dimensions without tolerances DIN ISO 2768-mK	Drawn by	07.09.1994 Kornely	
	Surface finish DIN ISO 1302	We reserve all rights to this document, to any patents or patent registrations related hereto, and to the duplication, retransmission by third parties and misc. use. Any use of this document is not permitted without the written consent of STABILUS.			Checked	09.10.2003 Müller
	Replaces: Zchnng gl.Nr.v. 11.02.82	CLEVIS			Document No.:	10006058
STABILUS	Material No.:				101826	

DROCKE : THERMILLER DOC-NR.: 10006058 ***** Druckdatum: 07.12.2005 / 09:12:26 ***** Ausdruck nicht massgetreu *****