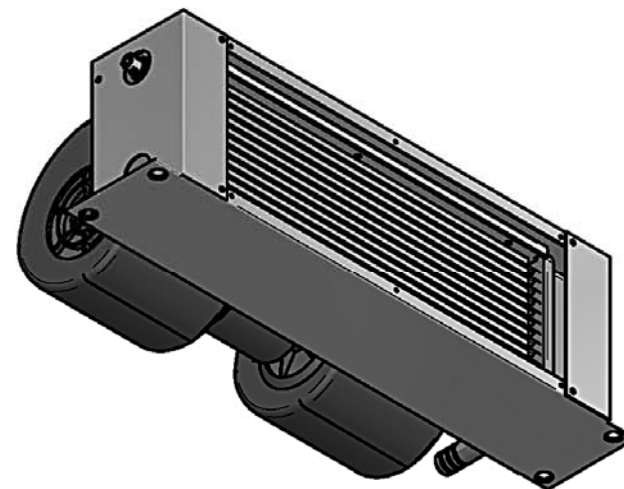
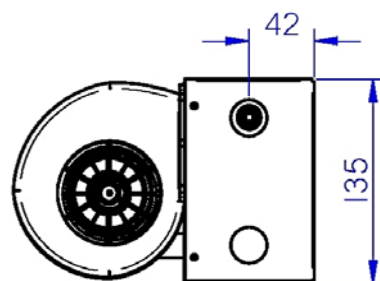
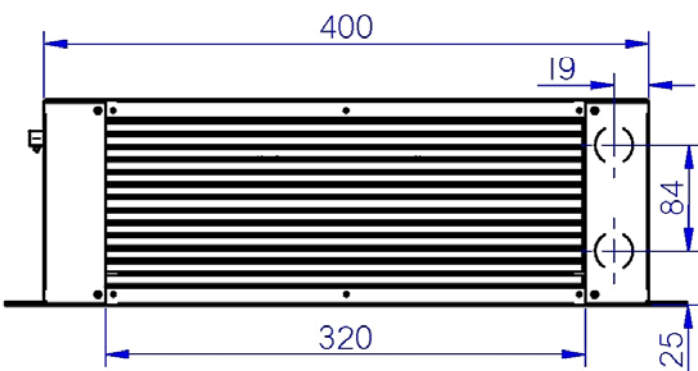
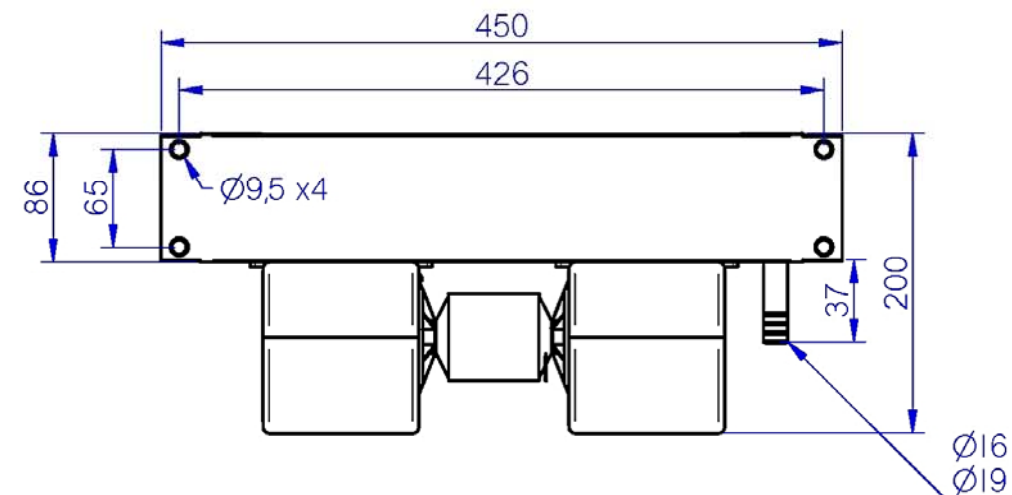


THE INFORMATION CONTAINED IN THIS DOCUMENT IS PROPRIETARY TO AUTO TERMO SYSTEM AB. ANY REPRODUCTION IN PART OR WHOLE WITHOUT PRIOR WRITTEN AUTHORIZATION OF AUTO TERMO SYSTEM AB IS PROHIBITED.



16 mm Vattenanslutning

W 320 012 126 12 V

W 320 024 126 24 V

19 mm Vattenanslutning

W 320 012 129 12 V

W 320 024 129 24 V

Item.no

Fundamental tolerancing principle acc to SS-ISO 8015	Form and location tol. acc to SS-ISO 1101	Maximum material principle M acc to SS-ISO 2692	Reference and reference system acc to SS-ISO 5459
Scale/Format	Material	Note	
Tolerance	Surface treatment/Finish	Weight/volume	Page
	Title	Drawn by/Date 2013-03-14	Design
		Drawing no.	Rev 2