

ACTUATORS



Electromotive actuators, electrical locking/unlocking & closing (high force)

Electrical rotation to right and left

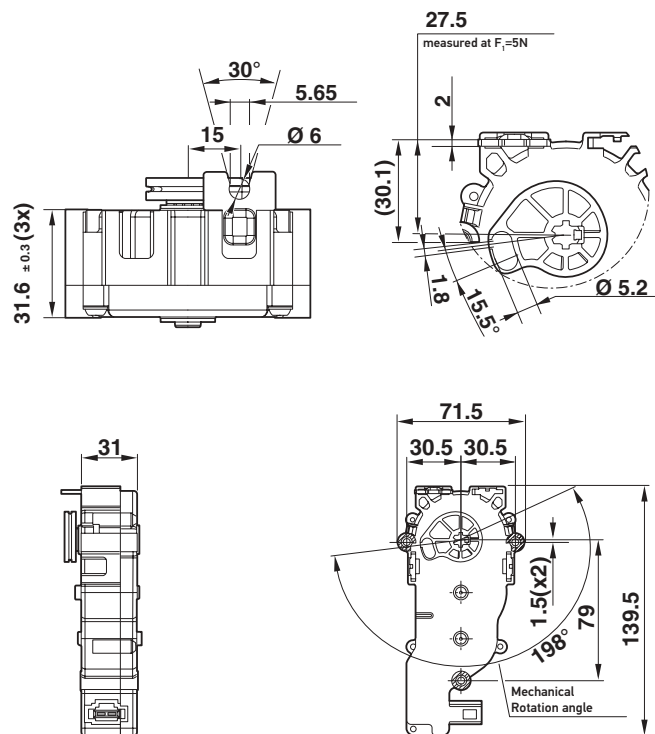
Part no. 6NW 009 424-791

TECHNICAL SPECIFICATIONS

Mainspring reset	none
Weight	181 g
Rated voltage	12 V
Voltage range	9 V to 16 V
Maximum power consumption	6 A
Idling current	150 mA
Rated torque	300 Ncm
Functional angle	0° to 198°
Tensile path	approx. 45 mm
Rated speed	15 min-1 at RT and 13 V
Manual adjustment	none
Thermal overload protection	not available
Operating temperature	- 40 °C to + 85 °C
Service life	50,000 switching cycles
Conducted electromagnetic interference	< - 75 V
Interference suppression (in all fields)	Intensity level 3
Protection class	IP 5K0
Vibration resistance (IEC 68-2-64)	3 g eff.
Housing material (upper side)	PP-GF30
Housing material (bottom side)	PP-GF30
Pin coating	Tin
Mating connector ¹⁾	1355390-1

¹⁾ This accessory is not included in the scope of delivery. It may be purchased from Tyco Electronics.

TECHNICAL DRAWING



PIN ASSIGNMENT

