

N E D E R L A N D
(THE NETHERLANDS)

COMMUNICATION

Concerning: ~~APPROVAL GRANTED~~
~~APPROVAL EXTENDED~~
~~APPROVAL REFUSED~~
~~APPROVAL WITHDRAWN~~
~~PRODUCTION DEFINITELY DISCONTINUED~~

of a type of direction indicator pursuant to Regulation No. 6

Approval No.: E4 - 6R - 01 9823

Extension No.: 2

Approval mark:

2a
01
9823



- | | | | |
|---|---|---|---|
| 1 | Trade name or mark of the device | : | HELLA or TALMU |
| 2 | Manufacturer's name for the type of device | : | 1179 |
| 3 | Manufacturer's name and address | : | Hella Lighting Finland Oy
Inkereentie 566
Fin-24280 Salo
Finland |
| 4 | Name and address of his representative | : | -- |
| 5 | Submitted for approval on | : | 2 May 2001; <u>5 December 2001</u> |
| 6 | Technical service responsible for conducting approval test | : | N.V. KEMA |
| 7 | Date of test report | : | 16 May 2001; <u>14 December 2001</u> |
| 8 | Number of test report | : | 01-090; <u>01-227</u> |
| 9 | Concise description: | | |
| | Category | : | 2a |
| | Number and category of filament lamp | : | 15 non-replaceable LED's,
24 V, 4 W or <u>12 V, 2.5 W</u> |
| | Only for limited mounting height of equal to or less than 750 mm above the ground | : | yes/no |



Approval No.: E4 - 6R - 01 9823

Extension No.: 2

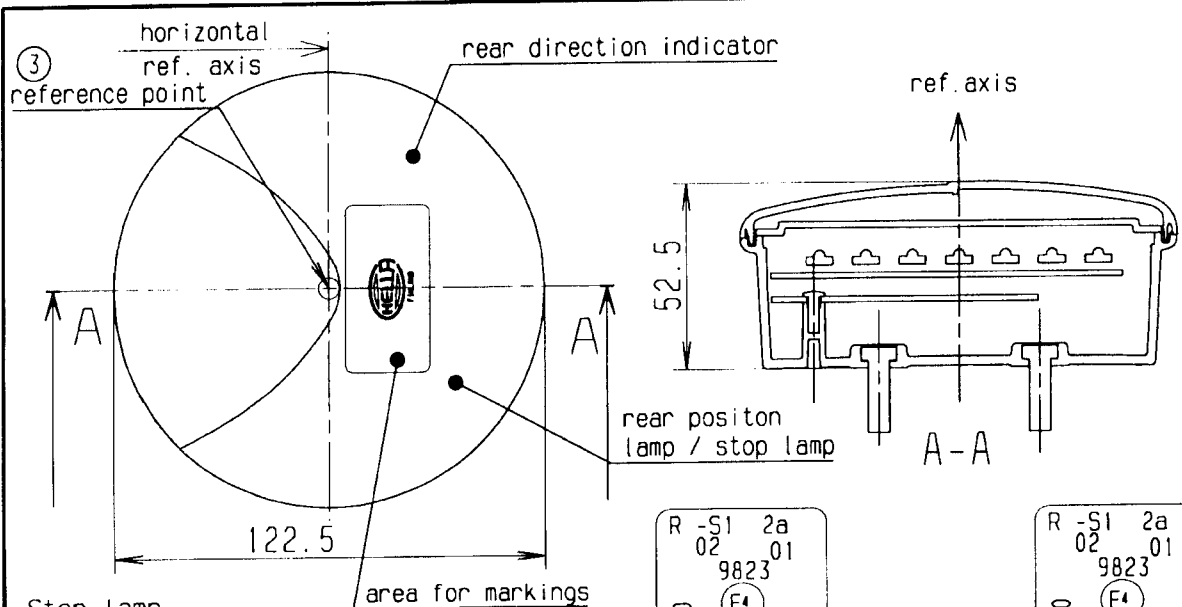
- 10 Position of the approval mark : see annexed drawing
- 11 Reasons for extension if applicable : addition of a 12 V version
- 12 Approval ~~granted/refused/extended/withdrawn~~
- 13 Place : Zoetermeer
- 14 Date : 20 DEC. 2001
- 15 Signature :


ing. A.M. Boekestein



RDW

- 16 The list of documents deposited with the Administrative Service which has granted approval is annexed to this communication and may be obtained on request:
- 1 drawing No. 341 514-00 dated 28.04.2001 with added information 3 of 14.12.01(annexed)
 - table with the dimensions of the illuminating surface; drawing No. 341 522-00 dated 18.01.2001 with added information 1 of 14.12.01 (annexed)
 - test report as mentioned in item 8



Stop lamp

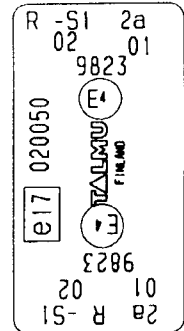
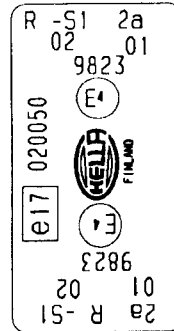
Light source: non-replaceable light sources (22 pcs L.E.D HPWT-DH00)
 Nominal voltage: 24V alternative 12V ② *
 Nominal wattage: 4W alternative 3W ② *

Rear position (side) lamp

Light source: non-replaceable light sources (22 pcs L.E.D HPWT-DH00)
 Nominal voltage: 24V alternative 12V ② *
 Nominal wattage: 1W alternative 0.5W ② *

Rear direction indicator lamp

Light source: non-replaceable light sources (15 pcs L.E.D HPWT-DL00) *)Electrical markings on the housing (sticker) ③
 Nominal voltage: 24V alternative 12V ② *
 Nominal wattage: 5W alternative 2.5W ② *
 Lens colour: clear
 Only for presented mounting
 Mounting as drawn on both sides of vehicle ③



① alternative



x	3			added information	14.12.01	EHA	
x	2			added alternative voltage	29.11.01	EHA	
x	1			added Talmu trademark (alternative)	22.08.01	EHA	
2D 3D	A-Index Rev. Ind	war was	Blatt Page	Aenderung Rev. Description	A-Nr. Rev. No.	Datum Date	K-Gr./Userid Depart./Userid

Oberflaeche 1 Surface 1			
Werkstoff 1 Material 1			
Allgemeintoleranz General Tolerance		Gewicht Weight	Mat.-Nr. Mat. -No.

Diese Unterlage ist vertraulich zu behandeln. Ihre Weitergabe sowie die Verwertung und Mitteilung ihres Inhalts ist nur mit unserer ausdruecklichen Genehmigung gestattet. Wir behalten uns alle Rechte vor, insbesondere das Recht zur Schutzrechtsanmeldung.
 This document is confidential. It's contents are not to be exploited, passed on or disclosed to third parties without our express permission. All rights reserved.

Masstab Scale	1:2	Datum Date	28.04.2001	Userid	EHA
Projektionsmethode Projection		Erstellt/Entw. Drawn	28.04.2001	Freigegeben Checked	PEI
		Konstr.-Gr. Department			



Benennung	Artikel-Nr. Part No.
-----------	-------------------------

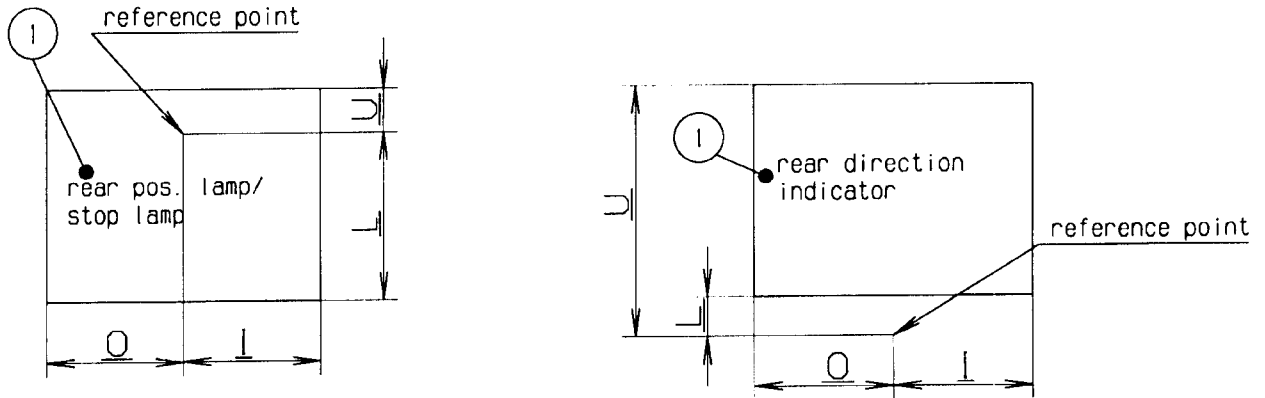
Title 1179 LED 3-combination lamp with Rear direction indicator lamp, stop lamp and rear position (side) lamp	Zeichnungs-Nr. Drawing No.	341 514-00	Format Size A4
---	-------------------------------	------------	----------------------

Ersatz fuer Replaces	Blatt: Page:	Blattzahl: Of:
CATIA:	Dok.-Status:	

Determining the lower, upper and lateral limits of the illuminating surface of the lamp device.

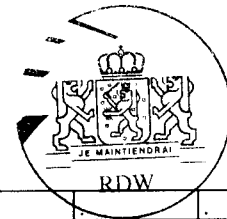
According to European DIRECTIVE 91/663/EEC, Annex I "Installation of lighting and light-signalling devices", clause 1.9.2.


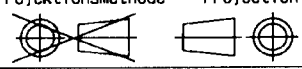
According to ECE regulation 48/01 "Installation of lighting and light-signalling devices", clause 2.9.2.



Function	upper limit (U) mm	lower limit (L) mm	outer limit (O) mm	inner limit (I) mm
Rear position (side) lamp	5	42	37	39
Stop lamp	6	39	40	40
Rear direction indicator	44	9	40	39

Belongs drw. no. 341 514-00
(left side mounting)



X		1		added information		14.12.01		EHA	
2D	3D	A-Index Rev. Ind	war was	Blatt Page	Aenderung Rev. Description	A-Nr. Rev. No.	Datum Date	K-Gr./Userid Depart./Userid	
Oberflaeche 1 Surface 1									
Werkstoff 1 Material 1									
Allgemeintoleranz General Tolerance						Gewicht Weight		Mat.-Nr. Mat.-No.	
Diese Unterlage ist vertraulich zu behandeln. Ihre Weitergabe sowie die Verwertung und Mitteilung ihres Inhalts ist nur mit unserer ausdruecklichen Genehmigung gestattet. Wir behalten uns alle Rechte vor, insbesondere das Recht zur Schutzrechtsanmeldung.					This document is confidential. It's contents are not to be exploited, passed on or disclosed to third parties without our express permission. All rights reserved.				
Maszstab Scale		Erstellt/Entw. Drawn		Datum Date		Userid		 Hella Lighting Finland	
Projektionsmethode Projection		Freigegeben Checked		18.01.2001		EHA			
		Konstr.-Gr. Department		18.01.2001		PEI			
Benennung Title						Artikel-Nr. Part No.			
1179 LED 3-combination lamp with Rear direction indicator lamp, stop lamp and rear position (side) lamp						341 522-00			
ILLUMINATING SURFACE						Zeichnungs-Nr. Drawing No.		Format Size	
A4						Blatt: Page:		Blattzahl: Of:	
CATIA:						Dok.-Status:			



N E D E R L A N D
(THE NETHERLANDS)



COMMUNICATION

Concerning: ~~APPROVAL GRANTED~~
~~APPROVAL EXTENDED~~
~~APPROVAL REFUSED~~
~~APPROVAL WITHDRAWN~~
~~PRODUCTION DEFINITELY DISCONTINUED~~

of a type of device pursuant to Regulation No. 7

Approval No.: E4 - 7R - 02 9823

Extension No.: 2

Approval mark:

R-S1
02
9823




- | | | | |
|---|--|---|--|
| 1 | Trade name or mark of the device | : | HELLA or TALMU |
| 2 | Manufacturer's name for the type of device | : | 1179 |
| 3 | Manufacturer's name and address | : | Hella Lighting Finland Oy
Inkereentie 566
Fin-24280 Salo
Finland |
| 4 | Name and address of his representative | : | -- |
| 5 | Submitted for approval on | : | 2 May 2001; <u>5 December 2001</u> |
| 6 | Technical service responsible for conducting approval test | : | N.V. KEMA |
| 7 | Date of test report | : | 16 May 2001; <u>14 December 2001</u> |
| 8 | Number of test report | : | 01-090; <u>01-227</u> |
| 9 | Concise description: | | |
| | By category of lamps | : | R - S1 |
| | Colour of light emitted | : | red/ selective yellow /white |
| | Number and category of filament lamp | : | stoplamp: 22 non-replaceable LED's,
24 V, 4 W or <u>12 V, 3 W</u>
rear position lamp: 22 non-replaceable
LED's, 24 V, 1 W or <u>12 V, 0.5 W</u> |

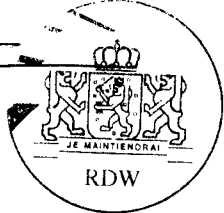


Approval No.: E4 - 7R - 02 9823

Extension No.: 2

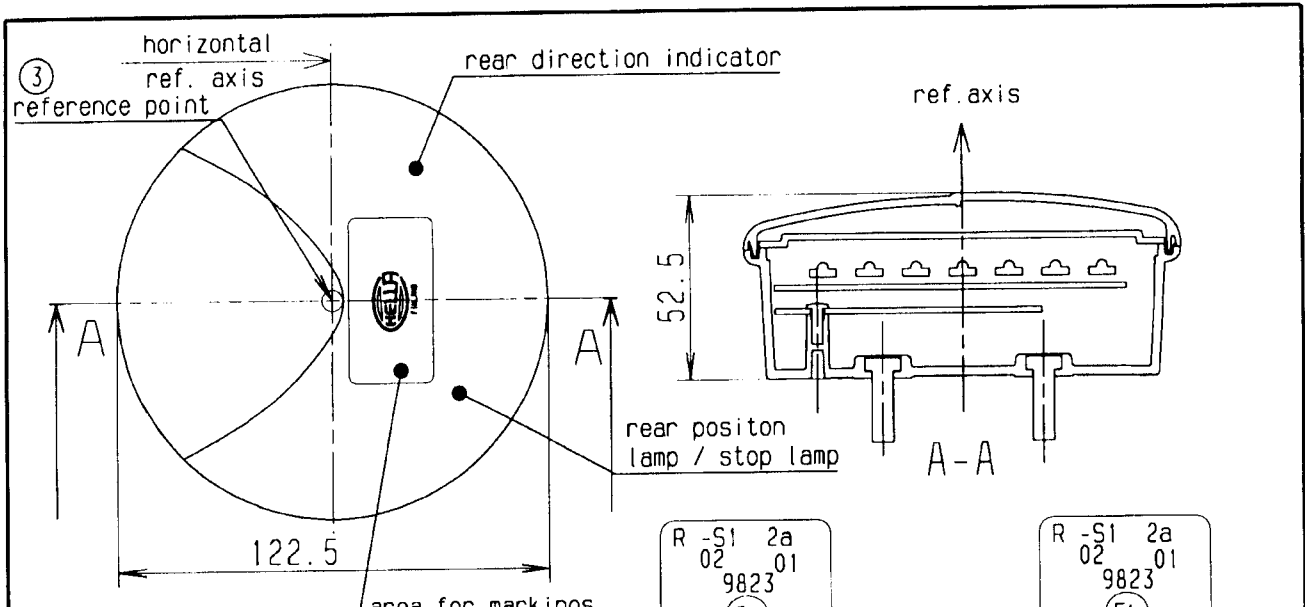
- 10 Position of the approval mark : see annexed drawing
- 11 Reasons for extension if applicable : addition of a 12 V version
- 12 Approval ~~granted/refused/extended/withdrawn~~
- 13 Place : Zoetermeer
- 14 Date : 20 DEC. 2001
- 15 Signature :


ing. A.M. Boekestein



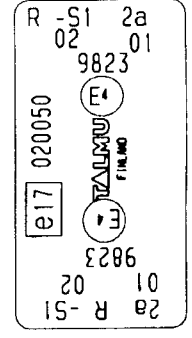
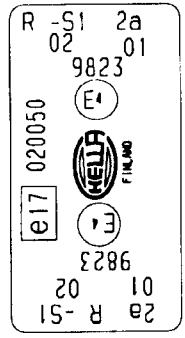
RDW

- 16 The list of documents deposited with the Administrative Service which has granted approval is annexed to this communication and may be obtained on request:
- 1 drawing No. 341 514-00 dated 28.04.2001 with added information 3 of 14.12.01(annexed)
 - table with the dimensions of the illuminating surface; drawing No. 341 522-00 dated 18.01.2001 with added information 1 of 14.12.01 (annexed)
 - test report as mentioned in item 8



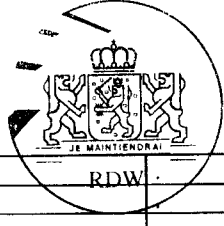
Stop lamp
 Light source: non-replaceable light sources (22 pcs L.E.D HPWT-DH00)
 Nominal voltage: 24V alternative 12V ② *
 Nominal wattage: 4W alternative 3W ② *

Rear position (side) lamp
 Light source: non-replaceable light sources (22 pcs L.E.D HPWT-DH00)
 Nominal voltage: 24V alternative 12V ② *
 Nominal wattage: 1W alternative 0.5W ② *



① alternative

Rear direction indicator lamp
 Light source: non-replaceable light sources (15 pcs L.E.D HPWT-DL00) *)Electrical markings on the housing (sticker) ③
 Nominal voltage: 24V alternative 12V ② *
 Nominal wattage: 5W alternative 2.5W ② *
 Lens colour: clear
 Only for presented mounting
 Mounting as drawn on both sides of vehicle ③



x	3		added information	RDW	14.12.01	EHA	
x	2		added alternative voltage		29.11.01	EHA	
x	1		added Talmu trademark (alternative)		22.08.01	EHA	
2D3D	A-Index Rev. Ind	war was	Blatt Page	Aenderung Rev. Description	A-Nr. Rev. No.	Datum Date	K-Gr./Userid Depart./Userid

Oberflaeche I Surface I						
Werkstoff I Material I						
Allgemeintoleranz General Tolerance				Gewicht Weight		Mat.-Nr. Mat.-No.

Diese Unterlage ist vertraulich zu behandeln. Ihre Weitergabe sowie die Verwertung und Mitteilung ihres Inhalts ist nur mit unserer ausdruecklichen Genehmigung gestattet. Wir behalten uns alle Rechte vor, insbesondere das Recht zur Schutzrechtsanmeldung.
 This document is confidential. It's contents are not to be exploited, passed on or disclosed to third parties without our express permission. All rights reserved.

Masstab Scale	1:2	Datum Date	28.04.2001	Userid	EHA
Projektionsmethode Projection		Erstellt/Entw. Drawn	28.04.2001	Freigegeben Checked	PEI
		Konstr.-Gr. Department			



Benennung	Artikel-Nr. Part No.
-----------	-------------------------

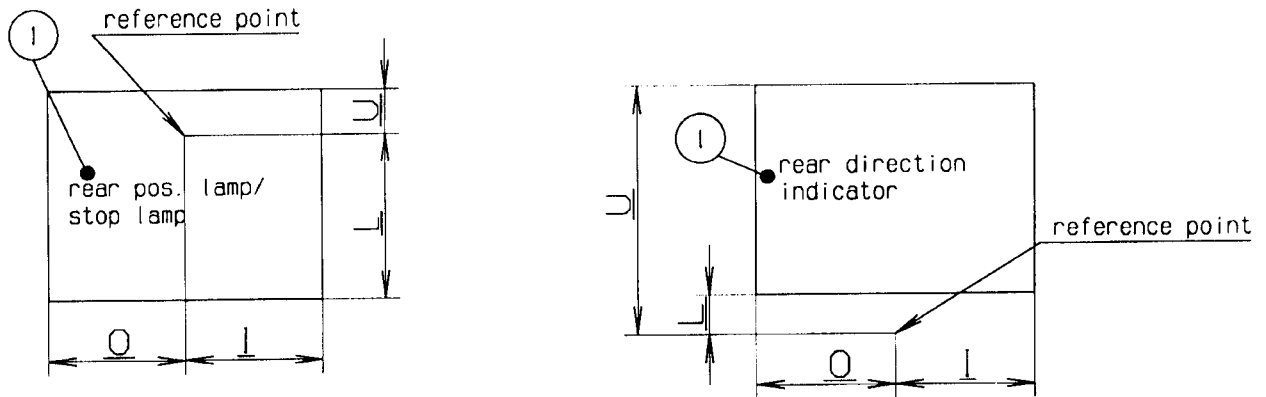
Title 1179 LED 3-combination lamp with Rear direction indicator lamp, stop lamp and rear position (side) lamp	Zeichnungs-Nr. Drawing No.	341 514-00	Format Size A4
---	-------------------------------	------------	----------------------

Ersatz fuer Replaces	Blatt: Page:	Blattzahl: Of:
CATIA:	Dok.-Status:	

Determining the lower, upper and lateral limits of the illuminating surface of the lamp device.

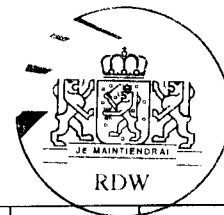
According to European DIRECTIVE 91/663/EEC, Annex I "Installation of lighting and light-signalling devices", clause 1.9.2.

According to ECE regulation 48/01 "Installation of lighting and light-signalling devices", clause 2.9.2.



Function	upper limit (U) mm	lower limit (L) mm	outer limit (O) mm	inner limit (I) mm
Rear position (side) lamp	5	42	37	39
Stop lamp	6	39	40	40
Rear direction indicator	44	9	40	39

Belongs drw. no. 341 514-00
(left side mounting)



x	1	added information	14.12.01	EHA
2D 3D	A-Index Rev. Ind	war was Blatt Page	Anderung Rev. Description	A-Nr. Rev. No. Datum Date K-Gr./Userid Depart./Userid

Oberfläche 1 Surface 1	.	.	.
Werkstoff 1 Material 1	.	.	.
Allgemeintoleranz General Tolerance	.	Gewicht Weight	Mat.-Nr. Mat.-No.

Diese Unterlage ist vertraulich zu behandeln. Ihre Weitergabe sowie die Verwertung und Mitteilung ihres Inhalts ist nur mit unserer ausdrücklichen Genehmigung gestattet. Wir behalten uns alle Rechte vor, insbesondere das Recht zur Schutzrechtsanmeldung.

This document is confidential. It's contents are not to be exploited, passed on or disclosed to third parties without our express permission. All rights reserved.

Masstab Scale	Erstellt/Entw. Drawn	Datum Date	Userid	Hella Lighting Finland
Projektionsmethode Projection	Freigegeben Checked	18.01.2001	EHA	
	Konstr.-Gr. Department	18.01.2001	PEI	

Benennung 1179 LED 3-combination lamp with Rear direction indicator lamp, stop lamp and rear position (side) lamp	Artikel-Nr. Part No.
---	----------------------

Title ILLUMINATING SURFACE	Zeichnungs-Nr. Drawing No. 341 522-00	Format Size A4
----------------------------	---------------------------------------	----------------

Ersatz fuer Replaces	Blatt: Page:	Blattzahl: Of:
CATIA:	Dok. -Status:	



N E D E R L A N D
(THE NETHERLANDS)



COMMUNICATION

Concerning: ~~APPROVAL GRANTED~~
~~APPROVAL EXTENDED~~
~~APPROVAL REFUSED~~
~~APPROVAL WITHDRAWN~~
~~PRODUCTION DEFINITELY DISCONTINUED~~

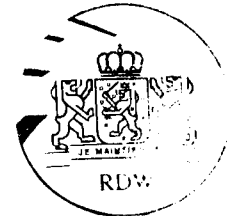
of a type of device pursuant to Regulation No. 7

Approval No.: E4 - 7R - 02 9823

Extension No.: 1

Approval mark:

R-S1
02
9823

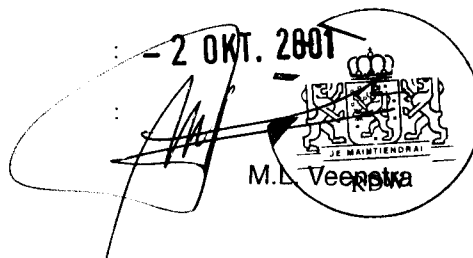


- | | | | |
|---|--|---|--|
| 1 | Trade name or mark of the device | : | HELLA or <u>TALMU</u> |
| 2 | Manufacturer's name for the type of device | : | 1179 |
| 3 | Manufacturer's name and address | : | Hella Lighting Finland Oy
Inkereentie 566
Fin-24280 Salo
Finland |
| 4 | Name and address of his representative | : | -- |
| 5 | Submitted for approval on | : | 2 May 2001 |
| 6 | Technical service responsible for conducting approval test | : | N.V. KEMA |
| 7 | Date of test report | : | 16 May 2001 |
| 8 | Number of test report | : | 01-090 |
| 9 | Concise description: | | |
| | By category of lamps | : | R - S1 |
| | Colour of light emitted | : | red/ selective yellow /white |
| | Number and category of filament lamp | : | stoptlamp: 22x, non replaceable LED's, 24 V,
4 W
position lamp: 22x, non replaceable LED's,
24 V, 1 W |

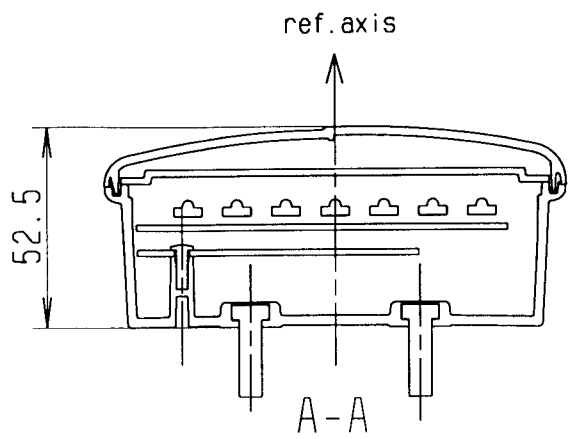
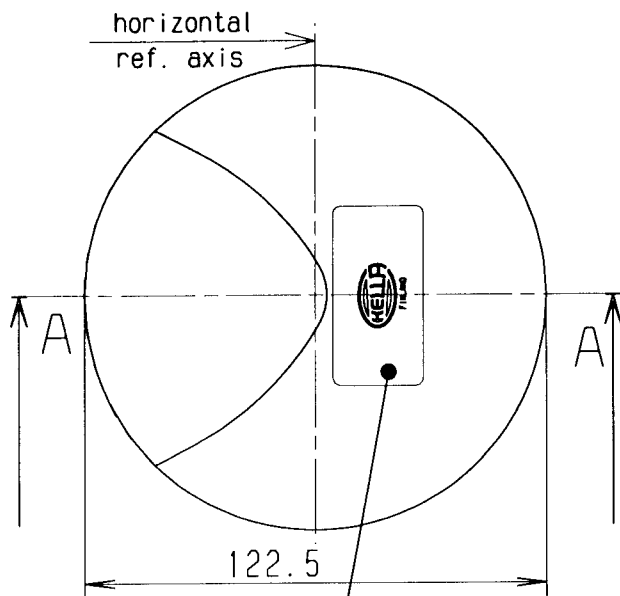
Approval No.: E4 - 7R - 02 9823

Extension No.: 1

- 10 Position of the approval mark : see annexed drawing
- 11 Reasons for extension if applicable : addition of a trade mark
- 12 Approval ~~granted/refused/extended/withdrawn~~
- 13 Place : Zoetermeer
- 14 Date : - 2 OKT. 2001
- 15 Signature :



- 16 The list of documents deposited with the Administrative Service which has granted approval is annexed to this communication and may be obtained on request:
- 1 drawing No. 341 514-00 dated 28.04.01 and 1 drawing No. 341 514-00 dated 22.08.01 (annexed)
 - table with the dimensions of the illuminating surface
 - test report as mentioned in item 8



Stop lamp

Light source: non-replaceable light sources
(22 pcs L.E.D HPWT-DH00)
Nominal voltage: 24V
Nominal wattage: 4W

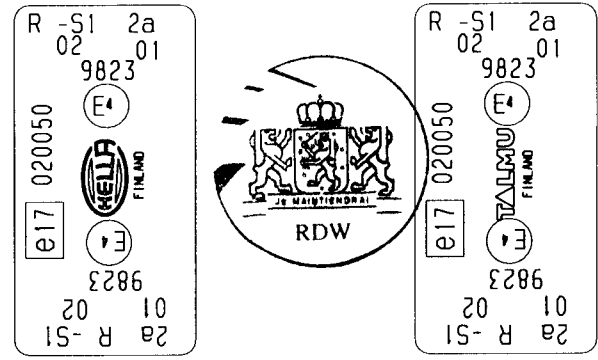
Rear position (side) lamp

Light source: non-replaceable light sources
(22 pcs L.E.D HPWT-DH00)
Nominal voltage: 24V
Nominal wattage: 1W

Rear direction indicator lamp

Light source: non-replaceable light sources
(15 pcs L.E.D HPWT-DL00)
Nominal voltage: 24V
Nominal wattage: 5W

Lens colour: clear
Only for presented mounting



① alternative

x		1		added Talmu trademark (alternative)		22.08.01		EHA	
2D	3D	A-Index Rev. Ind	war was	Blatt Page	Aenderung Rev. Description	A-Nr. Rev. No.	Datum Date	K-Gr./User id Depart./User id	
Oberflaeche 1 Surface 1									
Werkstoff 1 Material 1									
Allgemeintoleranz General Tolerance						Gewicht Weight		Mat.-Nr. Mat.-No.	
Diese Unterlage ist vertraulich zu behandeln. Ihre Weitergabe sowie die Verwertung und Mitteilung ihres Inhalts ist nur mit unserer ausdruecklichen Genehmigung gestattet. Wir behalten uns alle Rechte vor, insbesondere das Recht zur Schutzrechtsanmeldung.					This document is confidential. It's contents are not to be exploited, passed on or disclosed to third parties without our express permission. All rights reserved.				
Maszstab Scale		1:2		Datum Date		User id			
Projektionsmethode Projection				Erstellt/Entw. Drawn		28.04.2001		EHA	
				Freigegeben Checked		28.04.2001		PEI	
				Konstr.-Gr. Department					
Benennung						Artikel-Nr. Part No.			
Title 1179 LED 3-combination lamp with Rear direction indicator lamp, stop lamp and rear position (side) lamp						Zeichnungs-Nr. Drawing No.		341 514-00	
Ersatz fuer Replaces						Blatt: Page:		Blattzahl: Of:	
CATIA:						Dok.-Status:			
								Format Size A4	

N E D E R L A N D
(THE NETHERLANDS)

COMMUNICATION

Concerning: ~~APPROVAL GRANTED~~
~~APPROVAL EXTENDED~~
~~APPROVAL REFUSED~~
~~APPROVAL WITHDRAWN~~
~~PRODUCTION DEFINITELY DISCONTINUED~~



of a type of direction indicator pursuant to Regulation No. 6

Approval No.: E4 - 6R - 01 9823

Extension No.: 1

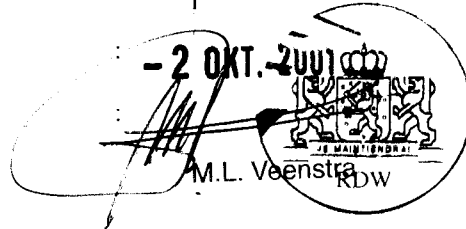
*Approval mark:*2a
01
9823

- | | | | |
|---|--|---|---|
| 1 | Trade name or mark of the device | : | HELLA or <u>TALMU</u> |
| 2 | Manufacturer's name for the type of device | : | 1179 |
| 3 | Manufacturer's name and address | : | Hella Lighting Finland Oy
Inkereentie 566
Fin-24280 Salo
Finland |
| 4 | Name and address of his representative | : | -- |
| 5 | Submitted for approval on | : | 2 May 2001 |
| 6 | Technical service responsible for conducting approval test | : | N.V. KEMA |
| 7 | Date of test report | : | 16 May 2001 |
| 8 | Number of test report | : | 01-090 |
| 9 | Concise description: | | |
| | Category | : | 2a |
| | Number and category of filament lamp | : | 15x , non replaceable LED's, 24 V, 4 W |

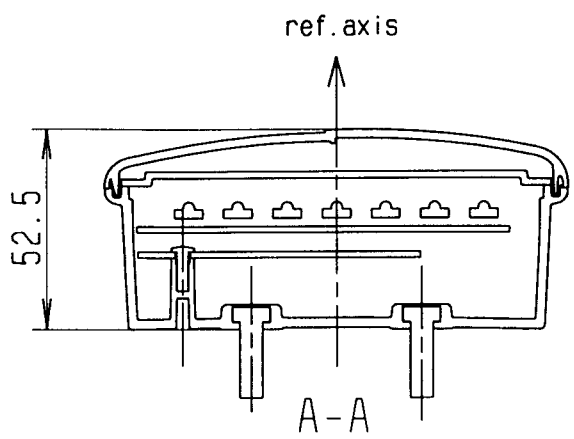
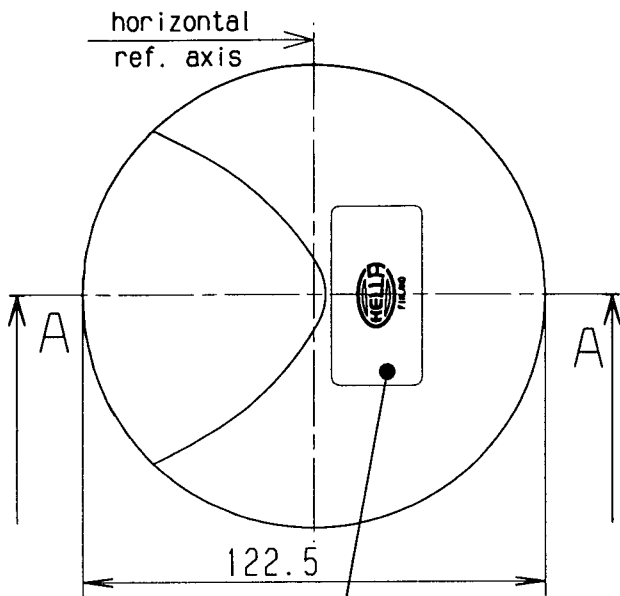
Approval No.: E4 - 6R - 01 9823

Extension No.: 1

- 10 Position of the approval mark : see annexed drawing
- 11 Reasons for extension if applicable : addition of a trade mark
- 12 Approval ~~granted/refused/extended/withdrawn~~
- 13 Place : Zoetermeer
- 14 Date
- 15 Signature



- 16 The list of documents deposited with the Administrative Service which has granted approval is annexed to this communication and may be obtained on request:
- 1 drawing No. 341 514-00 dated 28.04.01 and 1 drawing No. 341 514-00 dated 22.08.01 (annexed)
 - table with the dimensions of the illuminating surface
 - test report as mentioned in item 8



Stop lamp

Light source: non-replaceable light sources
 (22 pcs L.E.D HPWT-DH00)
 Nominal voltage: 24V
 Nominal wattage: 4W

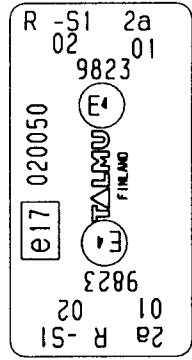
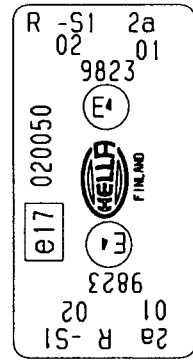
Rear position (side) lamp

Light source: non-replaceable light sources
 (22 pcs L.E.D HPWT-DH00)
 Nominal voltage: 24V
 Nominal wattage: 1W

Rear direction indicator lamp

Light source: non-replaceable light sources
 (15 pcs L.E.D HPWT-DL00)
 Nominal voltage: 24V
 Nominal wattage: 5W

Lens colour: clear
 Only for presented mounting



① alternative



x		1		added Talmu trademark (alternative)		22.08.01		EHA	
2D	3D	A-Index Rev. Ind	war was	Blatt Page	Aenderung Rev. Description	A-Nr. Rev. No.	Datum Date	K-Gr./Userid Depart./Userid	
Oberflaeche 1 Surface 1									
Werkstoff 1 Material 1									
Allgemeintoleranz General Tolerance				Gewicht Weight				Mat.-Nr. Mat.-No.	
Diese Unterlage ist vertraulich zu behandeln. Ihre Weitergabe sowie die Verwertung und Mitteilung ihres Inhalts ist nur mit unserer ausdruecklichen Genehmigung gestattet. Wir behalten uns alle Rechte vor, insbesondere das Recht zur Schutzrechtsanmeldung.					This document is confidential. It's contents are not to be exploited, passed on or disclosed to third parties without our express permission. All rights reserved.				
Maszstab Scale		1:2		Datum Date		Userid			
Projektionsmethode Projection				Erstellt/Entw. Drawn		28.04.2001 EHA			
				Freigegeben Checked		28.04.2001 PEI			
Benennung						Artikel-Nr. Part No.			
Title 1179 LED 3-combination lamp with Rear direction indicator lamp, stop lamp and rear position (side) lamp						Zeichnungs-Nr. Drawing No.		Format Size	
						341 514-00		A4	
Ersatz fuer Replaces				Blatt: Page:		Blattzahl: Of:			
CATIA:				Dok.-Status:					



N E D E R L A N D
(THE NETHERLANDS)



COMMUNICATION

Concerning: APPROVAL GRANTED
~~APPROVAL EXTENDED~~
~~APPROVAL REFUSED~~
~~APPROVAL WITHDRAWN~~
~~PRODUCTION DEFINITELY DISCONTINUED~~

of a type of direction indicator pursuant to Regulation No. 6

Approval No.: E4 - 6R - 01 9823

Extension No.: --

Approval mark:

2a
01
9823

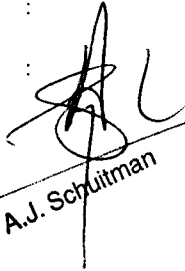


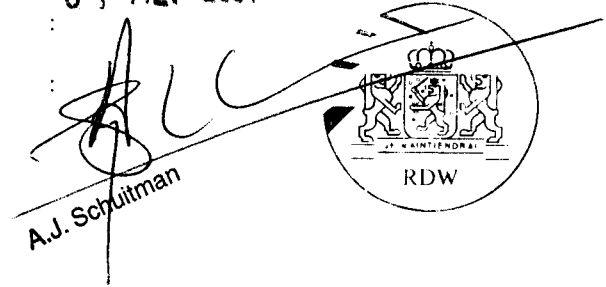
- 1 Trade name or mark of the device : HELLA
- 2 Manufacturer's name for the type of device : 1179
- 3 Manufacturer's name and address : Hella Lighting Finland Oy
Inkereentie 566
Fin-24280 Salo
Finland
- 4 Name and address of his representative : --
- 5 Submitted for approval on : 2 May 2001
- 6 Technical service responsible for conducting approval test : N.V. KEMA
- 7 Date of test report : 16 May 2001
- 8 Number of test report : 01-090
- 9 Concise description:
Category : 2a
Number and category of filament lamp : 15x , non replaceable LED's, 24 V, 4 W



Approval No.: E4 - 6R - 01 9823

Extension No.: --

- 10 Position of the approval mark : see annexed drawing
- 11 Reasons for extension if applicable : --
- 12 Approval granted/~~refused~~/~~extended~~/~~withdrawn~~
- 13 Place : Zoetermeer
- 14 Date : 31 MEI 2001
- 15 Signature : 



- 16 The list of documents deposited with the Administrative Service which has granted approval is annexed to this communication and may be obtained on request:
- 1 drawing No. 341 514-00 dated 28.04.01 (annexed)
 - table with the dimensions of the illuminating surface (annexed)
 - test report as mentioned in item 8



N E D E R L A N D
(THE NETHERLANDS)

**COMMUNICATION**

Concerning: APPROVAL GRANTED
~~APPROVAL EXTENDED~~
~~APPROVAL REFUSED~~
~~APPROVAL WITHDRAWN~~
PRODUCTION DEFINITELY DISCONTINUED

of a type of device pursuant to Regulation No. 7

Approval No.: E4 - 7R - 02 9823

Extension No.: --

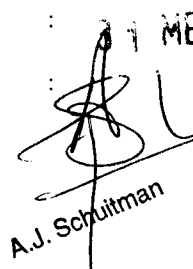
Approval mark:

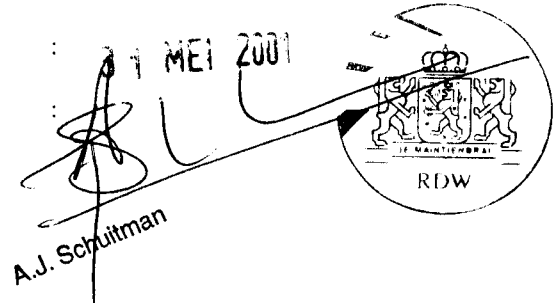
R-S1
02
9823



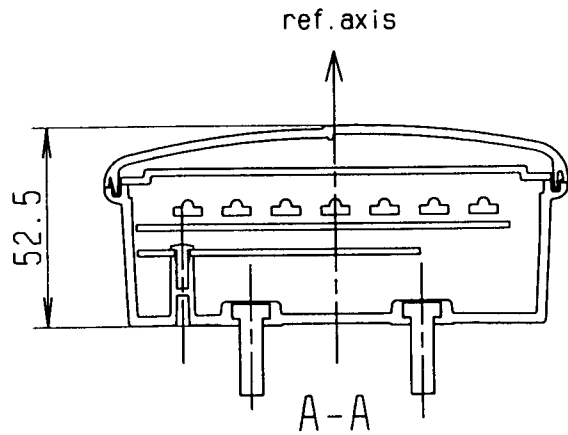
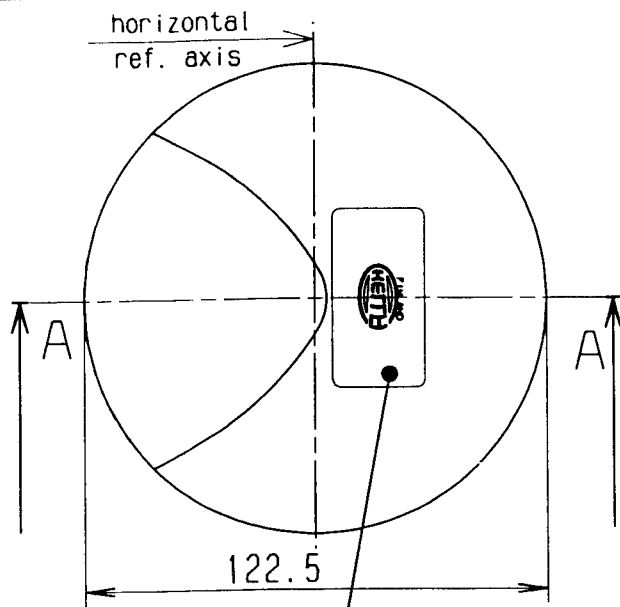
- | | | | |
|---|---|---|---|
| 1 | Trade name or mark of the device | : | HELLA |
| 2 | Manufacturer's name for the type of device | : | 1179 |
| 3 | Manufacturer's name and address | : | Hella Lighting Finland Oy
Inkereentie 566
Fin-24280 Salo
Finland |
| 4 | Name and address of his representative | : | -- |
| 5 | Submitted for approval on | : | 2 May 2001 |
| 6 | Technical service responsible for conducting approval test | : | N.V. KEMA |
| 7 | Date of test report | : | 16 May 2001 |
| 8 | Number of test report | : | 01-090 |
| 9 | Concise description:
By category of lamps
Colour of light emitted
Number and category of filament lamp | : | R - S1
red/selective yellow/white
stoplamp: 22x, non replaceable LED's, 24 V,
4 W
position lamp: 22x, non replaceable LED's,
24 V, 1 W |



- 10 Position of the approval mark : see annexed drawing
- 11 Reasons for extension if applicable : --
- 12 Approval granted/~~refused~~/~~extended~~/~~withdrawn~~
- 13 Place : Zoetermeer
- 14 Date : 11 MEI 2001
- 15 Signature : 



- 16 The list of documents deposited with the Administrative Service which has granted approval is annexed to this communication and may be obtained on request:
- 1 drawing No. 341 514-00 dated 28.04.01 (annexed)
 - table with the dimensions of the illuminating surface (annexed)
 - test report as mentioned in item 8



Stop lamp

Light source: non-replaceable light sources
(22 pcs L.E.D HPWT-DH00)
Nominal voltage: 24V
Nominal wattage: 4W

Rear position (side) lamp

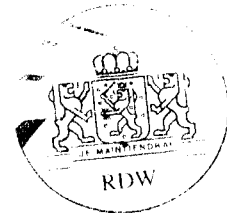
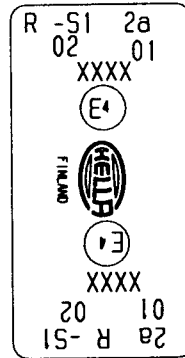
Light source: non-replaceable light sources
(22 pcs L.E.D HPWT-DH00)
Nominal voltage: 24V
Nominal wattage: 1W


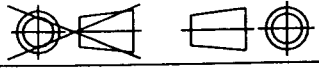
Rear direction indicator lamp

Light source: non-replaceable light sources
(15 pcs L.E.D HPWT-DL00)
Nominal voltage: 24V
Nominal wattage: 5W

Lens colour: clear

Only for presented mounting

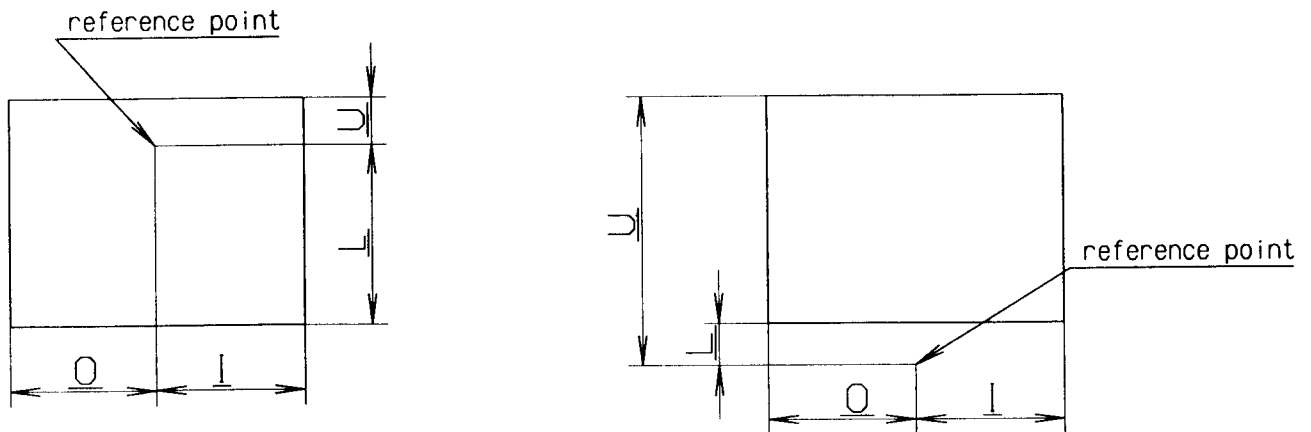


2D	3D	A-Index Rev. Ind	war was	Blatt Page	Aenderung Rev. Description	A-Nr. Rev. No.	Datum Date	K-Gr./User id Depart./User id
Oberflaeche 1 Surface 1								
Werkstoff 1 Material 1								
Allgemeintoleranz General Tolerance					Gewicht Weight		Mat.-Nr. Mat.-No.	
Diese Unterlage ist vertraulich zu behandeln. Ihre Weitergabe sowie die Verwertung und Mitteilung ihres Inhalts ist nur mit unserer ausdruecklichen Genehmigung gestattet. Wir behalten uns alle Rechte vor, insbesondere das Recht zur Schutzrechtsanmeldung.					This document is confidential. It's contents are not to be exploited, passed on or disclosed to third parties without our express permission. All rights reserved.			
Masstab Scale		1:2		Datum Date		User id		 Hella Lighting Finland
Projektionsmethode Projection				Erstellt/Entw Drawn		28.04.2001 EHA		
				Freigegeben Checked		28.04.2001 PEI		
Benennung					Artikel-Nr. Part No.			
Title 1179 LED 3-combination lamp with Rear direction indicator lamp, stop lamp and rear position (side) lamp					Zeichnungs-Nr. Drawing No.		341 514-00	
Ersatz fuer Replaces					Blatt: Page:		Blattzahl: Of:	
CATIA:					Dok.-Status:			

Determining the lower, upper and lateral limits of the illuminating surface of the lamp device.

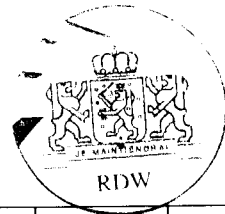
According to European DIRECTIVE 91/663/EEC, Annex I "Installation of lighting and light-signalling devices", clause 1.9.2.


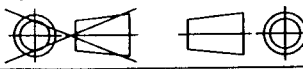
According to ECE regulation 48/01 "Installation of lighting and light-signalling devices", clause 2.9.2.



Function	upper limit (U) mm	lower limit (L) mm	outer limit (O) mm	inner limit (I) mm
Rear position (side) lamp	5	42	37	39
Stop lamp	6	39	40	40
Rear direction indicator	44	9	40	39

Belongs drw. no. 341 514-00
(left side mounting)



2D	3D	A-Index Rev. Ind	war was	Blatt Page	Aenderung Rev. Description	A-Nr. Rev. No.	Datum Date	K-Gr./Userid Depart./Userid	
Oberflaeche I Surface I									
Werkstoff I Material I									
Allgemeintoleranz General Tolerance						Gewicht Weight	Mat.-Nr. Mat.-No.		
Diese Unterlage ist vertraulich zu behandeln. Ihre Weitergabe sowie die Verwertung und Mitteilung ihres Inhalts ist nur mit unserer ausdruecklichen Genehmigung gestattet. Wir behalten uns alle Rechte vor, insbesondere das Recht zur Schutzrechtsanmeldung.					This document is confidential. It's contents are not to be exploited, passed on or disclosed to third parties without our express permission. All rights reserved.				
Maszstab Scale		Erstellt/Entw. Drawn		Datum Date	Userid	 Hella Lighting Finland			
Projektionsmethode Projection		Freigegeben Checked		18.01.2001	EHA				
		Konstr.-Gr. Department		18.01.2001	PEI				
Benennung Title						Artikel-Nr. Part No.			
1179 LED 3-combination lamp with Rear direction indicator lamp, stop lamp and rear position (side) lamp									
ILLUMINATING SURFACE						Zeichnungs-Nr. Drawing No.	341 522-00		Format Size A4
Ersatz fuer Replaces						Blatt: Page:	Blattzahl: Of:		
CATIA:						Dok.-Status:			