

# Roof Mount Antenna **DAB-A-GPS-a “Shark”**

Shark active – AM/FM, DAB/DAB+, GPS

**Sales Start**

April 2017

**Order Number**

2 006 017 378 503

**EAN-Code**

4260499850494

**Highlights**

Roof mount antenna with following functions and specifications:

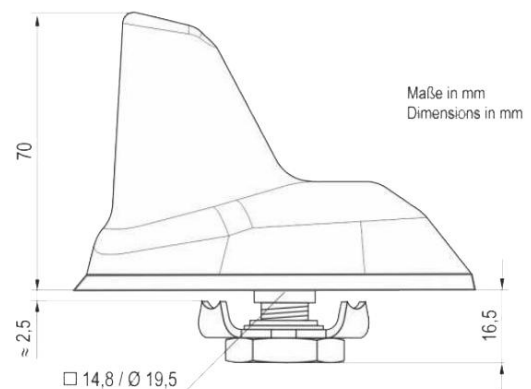
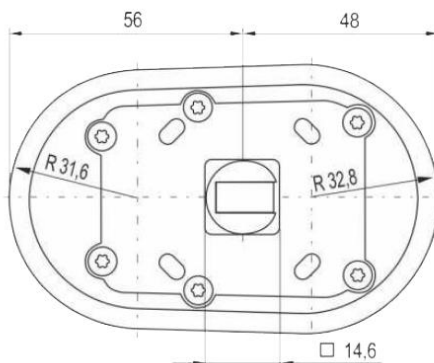
- Active and low noise DAB receiving Band III
- Active and low noise AM/FM receiving

- 12 V power supply optionally via inner conductor of the cable connections (phantom) or DIN receptacle
- Active GPS antenna (Phantom power supply)
- Can be mounted on new MB+VW/ Audi (Seal adapter available)
- Small installation depth (16,5 mm)

BLAUPUNKT Competence Center Car Multimedia  
Evo-Sales GmbH, Hastenbecker Weg 33 - 31785 Hameln/Germany

# Roof Mount Antenna **DAB-A-GPS-a “Shark”**

Shark active – AM/FM, DAB/DAB+, GPS



| Frequency Range       | AM                 | FM           | DAB+ Band III     | GPS                     |
|-----------------------|--------------------|--------------|-------------------|-------------------------|
| Frequency             | 0,15-16 MHz        | 87,5-108 MHz | 174-240 MHz       | 1575,42 MHz             |
| Impedance             | 50 Ω               |              |                   |                         |
| Amplification         | 6 dB               | 20 dB        | 20 dB             | 28 ± 3 dB               |
| Noise Factor          |                    | 3,5 dB typ.  | 2,0 dB typ.       | 1,7 dB typ.             |
| VSWR                  | 2,5 : 1            |              | 2,0 : 1           | 1,5 : 1                 |
| Gain                  |                    |              |                   | 32 dBic typ.            |
| Power Supply external | + 12 V, typ. 25 mA |              |                   |                         |
| Power supply Phantom  | + 12 V, typ. 20 mA |              | + 12 V, typ. 5 mA | + 3,3...5,0V 15...40 mA |
| Cable RG 174          | 110 mm             |              | 200 mm            | 150 mm                  |
| Connector             | FAKRA (m) - B      |              | FAKRA (m) - G     | FAKRA (m) - C           |