

TECHNICAL DATA

FOZMULA
INNOVATION IN SENSORS

T/LL140 series fuel level sensor



The **Model T/LL140 series** is a range of highly advanced sensors for continuously measuring the contents of a fuel tank. The products include a feature whereby they can be cut to length* and be recalibrated.

A low level alarm switches when the fuel drops below a predetermined level (default is 1/8th of the tank), but the alarm point can be optionally specified anywhere between 0-100%.

SPECIFICATION

Dimensions:

Probe length: Min 200mm, Max 1100mm (Min 7.9", Max 43.3")
Note: the probe length should leave min. 25mm from the end of the probe to the base of the tank.

Electrical:

Supply voltage: 12 or 24Vdc nominal*
Connections: 500mm long flying leads which can be optionally fitted with any specified receptacle
Supply current: 28mA@12Vdc + output load
Accuracy: ±2.0% of depth @ 20°C (+68°F)

*Protected against overvoltage (80Vdc for 2 minutes) and incorrect electrical connection

Outputs:

Resistive: One from: 10-180Ω, 240-33Ω or 3-180Ω. Not suitable for constant current application.
Voltage: Selectable: 0-5V, 5-0V or any voltage range in between these limits (ascending or descending). Vout is protected from damage if misconnected to V+ (>32V) or Gnd.
Alarm: Switch to ground at 1/8 tank depth - max load 100mA - optionally adjustable between empty and full.
Warning Output Load: 100mA max.

Construction:

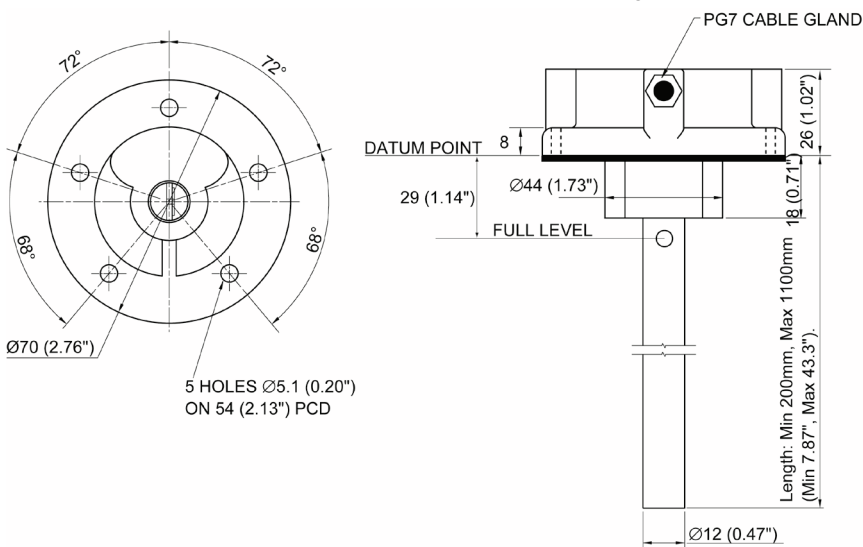
Housing: 30% glass filled Nylon 66
Sensor tube: Stainless steel 316
Internal insulators: PTFE
Internal sensor: Aluminium
Wetted seals: PTFE & Nitrile

Fluid Types:

Diesel, biodiesel, kerosene, petrol. Not suitable for fuels with a high dielectric constant.

Environmental Ratings:

Temperature - operating: -40°C to +85°C (-4°F to +185°F)
- storage: -40°C to +105°C (-40°F to +221°F)
Max tank pressure: For use in unpressurized tanks
Vibration: BS EN 60068-2-64:1993 (15.3grms)
Sealing: IP67
Shock: 50g 6.3ms
Weight: 300g (10 oz) (1M long unit)



Model	Output
T/LL140	Resistive
T/LL141	Voltage
T/LL142	PWM

Wire colour codes:

Red: V+ (9 ~ 34V)
Green: V- (Ground)
Yellow: LLA max 100mA
Blue: Signal out (V)
Black: Signal out (Ω)
White: Calibration

* Part Number CA0482 probe length adjustment kit must be purchased if the sensor is to be cut to a different length.

Hermes Close | Tachbrook Park | Warwick | CV34 6UF | United Kingdom
Tel: +44 (0)1926 466700 | Fax: +44 (0)1926 450473 | sales@fozmula.com

www.fozmula.com

E. & O. E. © Fozmula Limited. July 2012 Issue No. 10

Since the suitability of these products depends upon a wide range of factors not in our control, Fozmula Limited expects and understands that you will conduct the testing and evaluation necessary to determine that these products are suitable for your application. Whilst every effort is made to ensure the above details are correct at the time of printing, Fozmula Limited reserves the right to make material changes, and or technical changes without notification.