

Design Data	
Commutation	brushed
Direction of rotation	bidirectional
Bearing Type	A:Sleeve - B:Sleeve

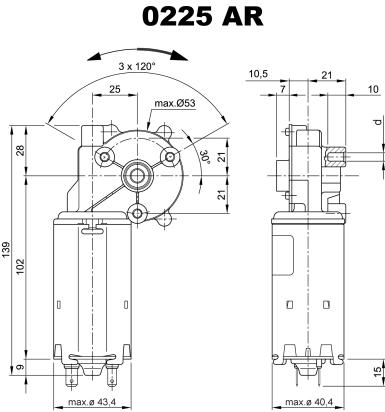
Performance data		
Nominal Voltage [V]	U_N	24
Nominal Torque [Nm]	M_N	1,00
Nominal Speed [min^{-1}]	n_N	70,588
Nominal Power [W]	P_N	7,4
Nominal current [A]	I_N	2,0
Nominal force [kN]	F_N	0,00
Duty cycle	s3	

Sensor data	
Pulses	0
Output channels	0

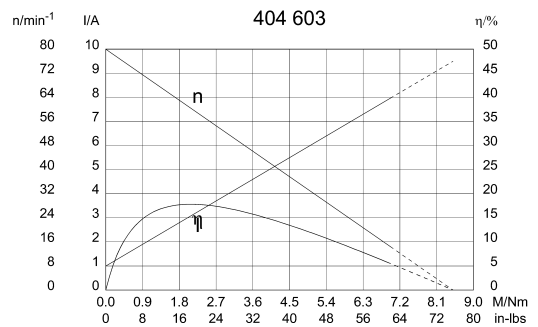
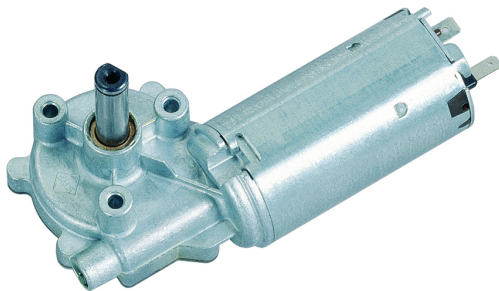
Other data	
Gear ratio	62/1
Gear wheel material	plastic
Suppression components	7,5 μ H, 1nF
Enclosure class	IP30
Weight [kg]	0,710

Remarks:
d = for thread-forming screw M 5 DIN 7500

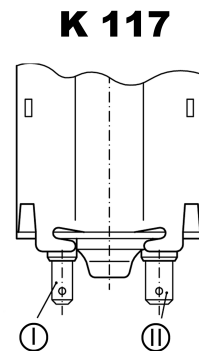
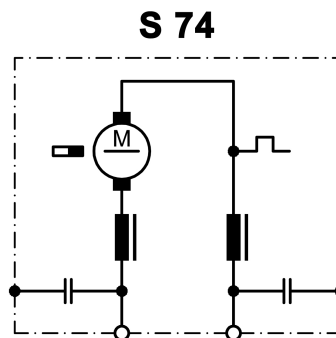
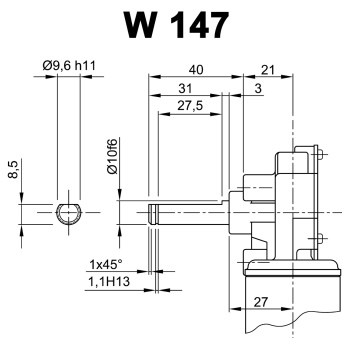
Characteristic Curves



Motor picture



Output shaft drawing (W), Wiring diagrams (S) and Connector layout (K)



I Blade terminal ends 4,8 x 0,8 DIN 46 244
II Blade terminal ends 6,3 x 0,8 DIN 46 244