

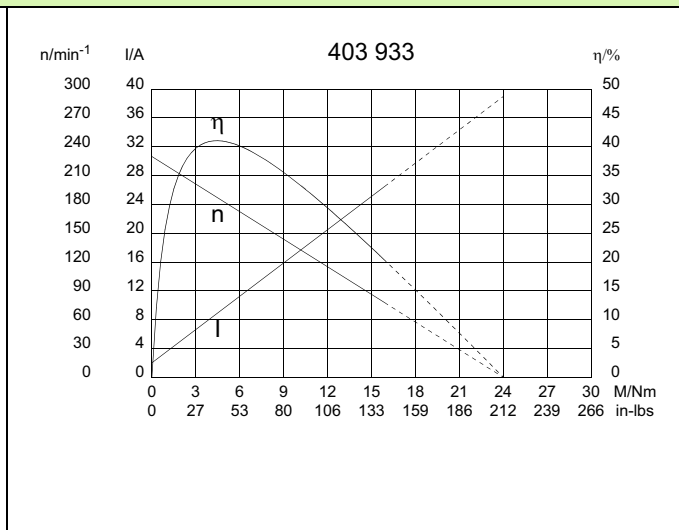
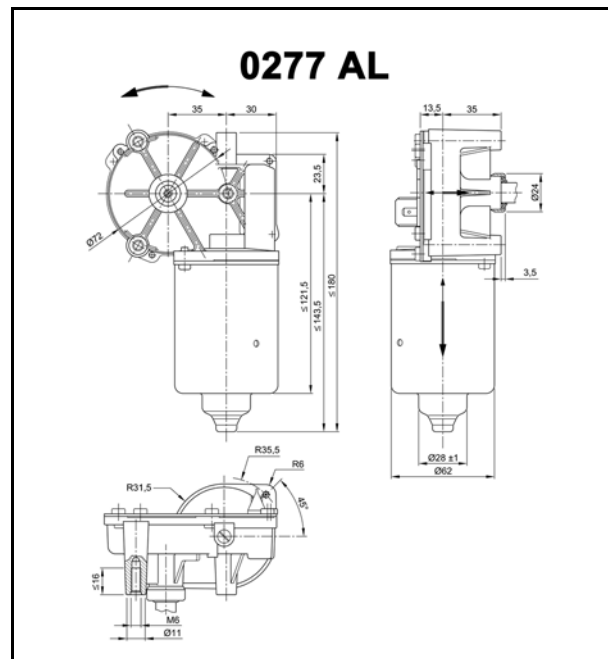
Series 0277 (SW2K)

Motor type 403 933



Motors & Actuators

Technical Data			
Rated voltage	U_N	[Volt]	24
No-load speed	n_0	[min ⁻¹]	230
Nominal torque	M_N	[Nm]	2,00
ON time		%	
ON		[min]	
Starting torque	M_A	[Nm]	24,00
Gear ratio	i		70/4
Armature resistance, 2 bars	R	[mΩ]	520,00
	R	[mΩ]	430,00
Armature inductance, 2 bars	L	[mH]	0,96
	L	[mH]	0,88
Armature load inertia	J_R	[kgm ²] × 10 ⁻⁶	78,00
Gear wheel material			plastic
Hall IC			
Pulses/rev. drive shaft			
Output channels			
Remarks		Ball bearing	
Enclosure class			IP 40
Weight		[kg]	1,200



W 191

W 197

! Lefthand thread

S 30