

Design Data	
Commutation	brushed
Direction of rotation	bidirectional
Bearing Type	A:Ball - B:Sleeve

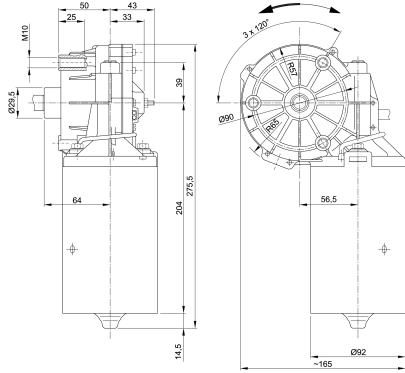
Performance data		
Nominal Voltage [V]	U_N	24
Nominal Torque [Nm]	M_N	10,00
Nominal Speed [min^{-1}]	n_N	148,5
Nominal Power [W]	P_N	155,5
Nominal current [A]	I_N	5,0
Nominal force [kN]	F_N	0,00
Duty cycle	s1	

Sensor data	
Pulses	0
Output channels	0

Other data	
Gear ratio	43/3
Gear wheel material	plastic
Suppression components	
Enclosure class	IP 20
Weight [kg]	4,200

Remarks:

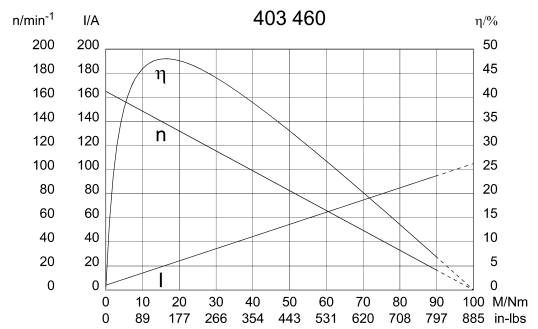
0292 BL



Motor picture

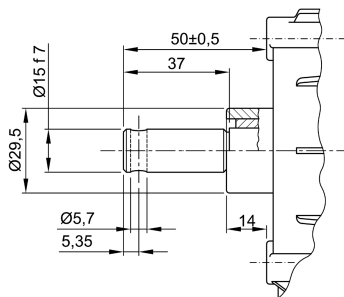


Characteristic Curves

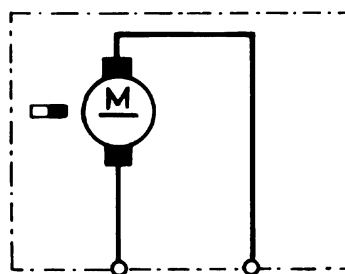


Output shaft drawing (W), Wiring diagrams (S) and Connector layout (K)

W 167



S 28



K 123

