

# SKF Product Information

## VKPC 81407 – OE/SKF Water pump design evolution



SEAT Altea, Arosa, Cordoba, Ibiza III/IV, Leon, Toledo 1.4 16V  
 SKODA Fabia, Octavia, Roomster 1.4 16V  
 VW Bora, Polo, Lupo, Golf IV/V/VI, Caddy II, New Beetle 1.4 16V



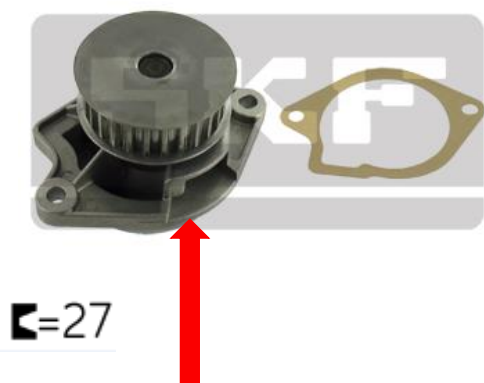
OE/SKF Water pump design evolution



OE Nb: 036 121 008 L, 036 121 008 M

In compliance with an OE Design evolution, SKF has changed the design of the water pump kit VKPC 81407 from batch code 026N. The design evolution is impacting the impeller and gasket material. This evolution is also impacting all associated SKF Timing belt and water pump kits: VKMC 01120, VKMC 01121-1 and VKMC 01122.

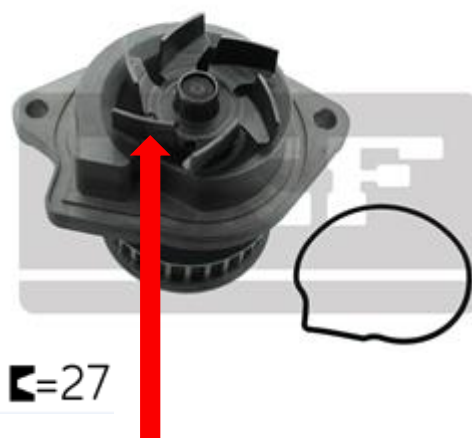
VKPC 81407



- Plastic impeller
- Paper gasket

OLD DESIGN

VKPC 81407



- Steel impeller
- Rubber gasket

NEW DESIGN

[Click here to watch SKF technical videos on Youtube!](#)



© SKF Group 2016

The contents of this publication are the copyright of the publisher and may not be reproduced (even extracts) unless written permission is granted. Every care has been taken to ensure the accuracy of the information contained in this publication but no liability can be accepted for any loss or damage whether direct, indirect or consequential arising out of the use

