

## ACTUATORS



Electromotive actuators, electrical locking/unlocking, space-saving with micro-switch (low force), electrical forward and reverse rotation, with micro-switch

**Part no. 6NW 011 122-021**

On request: 6NW 009 203-031

(same as version -021 but without operating and locking elements)

### TECHNICAL SPECIFICATIONS

Function	Electrical forward and reverse rotation with micro-switch
Weight	60 g
Rated voltage	12 V
Voltage range	9 V to 15.5 V
Maximum power consumption	3.2 A
Idling current	≤ 250 mA
Locking lever retention force	≥ 75 N
Locking lever breaking force	≥ 300 N
Functional angle	< 78°
Actuating time 78° over functional angle <sup>1)</sup>	40ms < t < 200ms
Triggering time	0,2s < t < 10s
Thermal overload protection	not available
Operating temperature	-40 °C to 85 °C
Storage temperature	- 40 °C to +90 °C
Service life <sup>2)</sup>	60,000 cycles
Conducted electromagnetic interference	Intensity level 2
Interference suppression CISPR 25, SAE J-1113-41	≤ 18 mm Intensity level 1 + 10 dB µV
Micro-switch switching angle	8° to 18°
Final position stability with motor short-circuit	≤ 6°
Protection class	IP 5K4
Salt spray test according to DIN 50 021 SS	96h
Vibration resistance according to IEC 68-2-64	2.7g
Housing material	PP-GF30
Sealing ring	NBR 70 Shore A black
Locking lever material	PAA GF60 black
Resistant to	Petrol, diesel, bio-diesel, ozone
Pin coating	tin-plated
Connector	Hirschmann, 3-pin
Mating connector <sup>3)</sup>	3-pin MLK coupler ELA 872-858-...KA

<sup>1)</sup> Over the operating voltage and temperature range

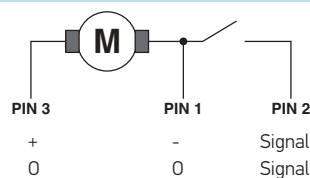
<sup>2)</sup> One switching cycle equals one forward and one reverse rotation

<sup>3)</sup> This accessory is not included in the scope of delivery.  
It may be purchased from Hirschmann Automotive.

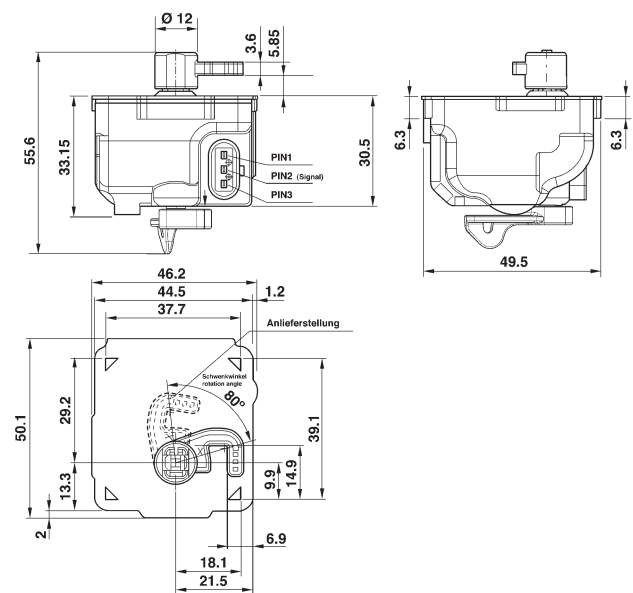
### ELECTRICAL CONNECTION

Hirschmann, 3-pin MLK plug

Softtouch unlocking  
Softtouch locking



### TECHNICAL DRAWING



### MICRO-SWITCH TRIPPING

