

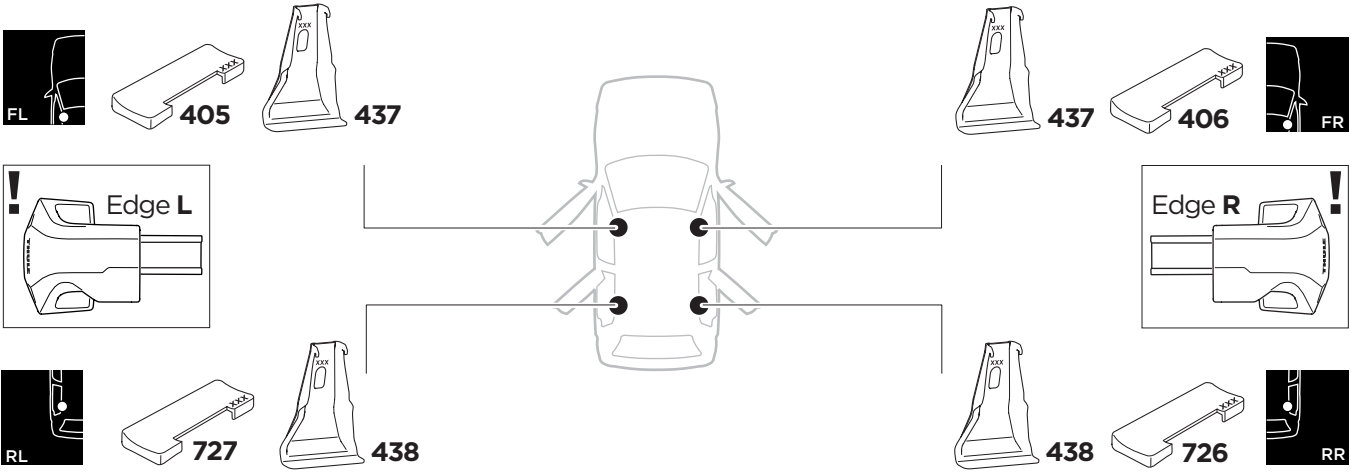
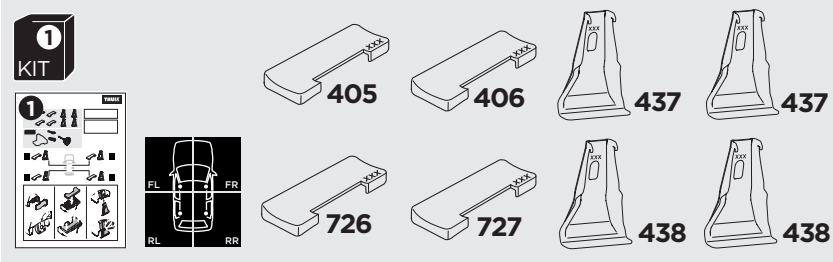
# 1

## Kit 145244

NISSAN Note III, 5-dr Hatchback, 21-



ISO 11154-E





THULE WingBar Evo	THULE WingBar Edge	THULE WingBar	THULE SquareBar Evo	<b>Evo X (scale)</b>	<b>Edge X (scale)</b>
<b>NISSAN Note III, 5-dr Hatchback, 21-</b>				<b>35,5</b>	<b>N/A</b>
THULE ProBar Evo	THULE SlideBar Evo				<b>X (mm/inch)</b>
<b>NISSAN Note III, 5-dr Hatchback, 21-</b>				<b>1006 mm / 39 5/8"</b>	



THULE WingBar Evo	THULE WingBar Edge	THULE WingBar	THULE SquareBar Evo	<b>Evo Y (scale)</b>	<b>Edge Y (scale)</b>
<b>NISSAN Note III, 5-dr Hatchback, 21-</b>				<b>24</b>	<b>N/A</b>
THULE ProBar Evo	THULE SlideBar Evo				<b>Y (mm/inch)</b>
<b>NISSAN Note III, 5-dr Hatchback, 21-</b>				<b>891 mm / 35 1/8"</b>	

	<b>W (mm/inch)</b>	<b>Z (mm/inch)</b>
<b>NISSAN Note III, 5-dr Hatchback, 21-</b>	<b>700 mm / 27 1/2"</b>	<b>255 mm / 10"</b>

