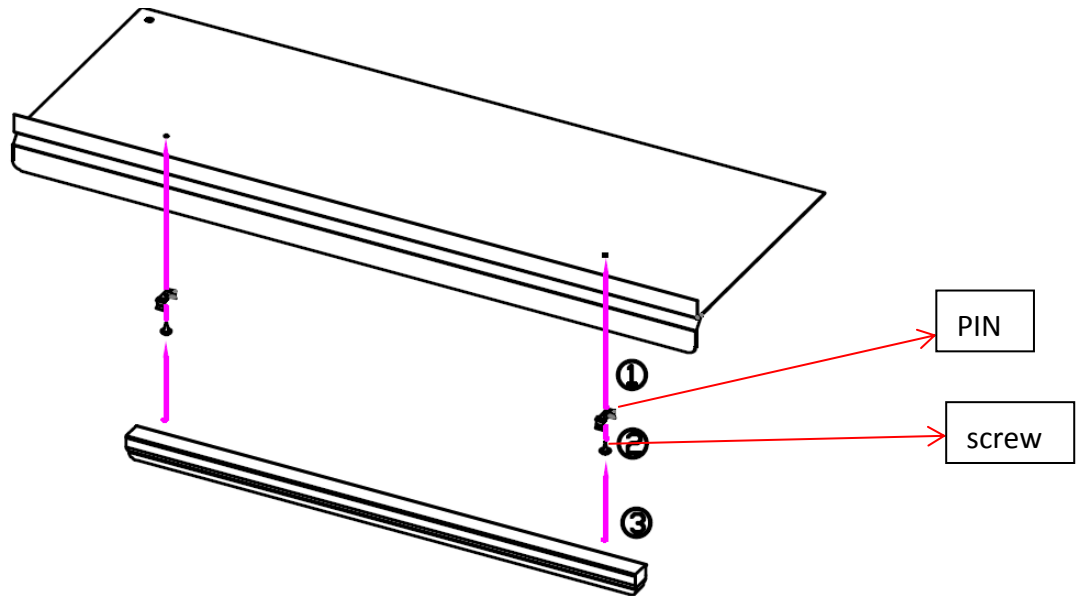
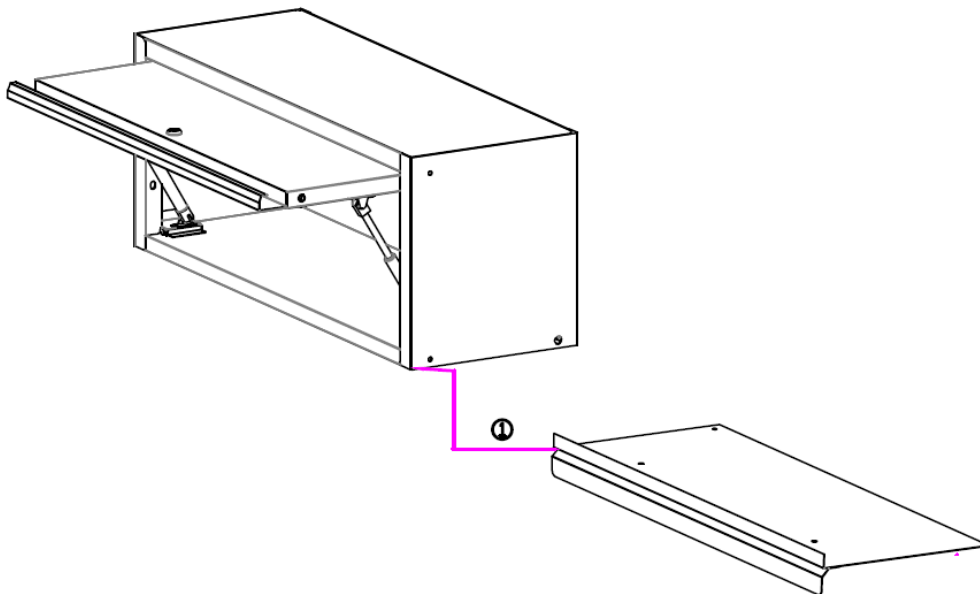


# Assembly Manual for the plate cover

**Step 1:** To screw the pin on the plate cover first. Then assemble the light on it.



**Step 2:** To press the plate cover into the cupboard first.



Step 3: To apply the 4pcs Phillips M6 Screw from inside the Cupboard Unit to the Support Bracket to secure the structure. Meanwhile, the plate cover is placed between the panel and the cupboard.

